

CSC 446 Notes: Lecture 10

Typed by Shibo Wang

February 22, 2012

1 Message Passing: Sum-Product (Review)

From last class, we know that

$$q_{n \rightarrow m}(x_n) = \prod_{m' \in M(n) \setminus m} r_{m' \rightarrow n}(x_n)$$
$$r_{m \rightarrow n}(x_n) = \sum_{\vec{x}_m \setminus x_n} f_m(\vec{x}_m) \prod_{n' \in N(m) \setminus \{n\}} q_{n' \rightarrow m}(x_{n'})$$

$q_{n \rightarrow m}(x_n)$ means the information propagated from variable node n to factor node f_m ; $r_{m \rightarrow n}(x_n)$ is the information propagated from factor node f_m to variable node n . And our goal is to compute the marginal probability for each variable x_n :

$$P(x_n) = \frac{1}{Z} \prod_{m \in M(n)} r_{m \rightarrow n}(x_n).$$

The joint distribution of two variables can be expressed as

$$P(x_i, x_j) = \frac{1}{Z} \left(\prod_{m \in M(i)} r_{m \rightarrow i}(x_i) \right) \left(\prod_{m \in M(j)} r_{m \rightarrow j}(x_j) \right)$$

In the original problem, the marginal probability of variable x_n is obtained by summing the joint distribution over all the variables except x_n :

$$P(x_n) = \frac{1}{Z} \sum_{x_1} \dots \sum_{x_{n-1}} \sum_{x_{n+1}} \dots \sum_{x_N} \prod_m f_m(\vec{x}_m).$$

And by pushing summations inside the products, we obtain the efficient algorithm above.

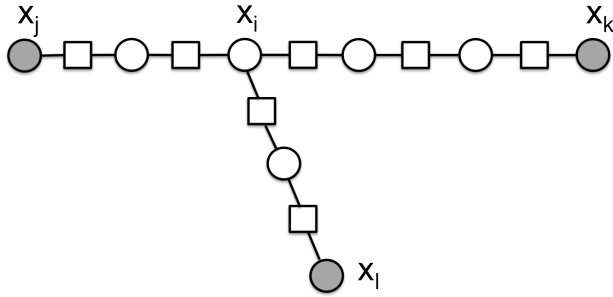


Figure 1: An example of *max-product*

2 Max-Sum

In practice, sometimes we wish to find the set of variables that maximizes the joint distribution $P(x, N) = \frac{1}{Z} \prod_m f_m(\vec{x}_m)$. Removing the constant factor, it can be expressed as

$$\begin{aligned} & \max_{x_1, \dots, x_N} \prod_m f_m(\vec{x}_m) \\ &= \max_{x_1} \dots \max_{x_N} \prod_m f_m(\vec{x}_m) \end{aligned}$$

Figure 1 shows an example, in which the shadowed variables x_j , x_k , and x_l block the outside information flow. So to compute $P(x_i | x_j, x_k, x_l)$, we can forget everything outside them, and just find assignments for inside variables:

$$\max_{\text{inside var}} \prod_m f_m(\vec{x}_m).$$

Like the *sum-product* algorithm, we can also make use of the distributive law for multiplication and push maxs inside the products to obtain an efficient algorithm. We can put max whenever we see \sum in the *sum-product* algorithm to get the *max-sum* algorithm, which now actually is *max-product* (*Viterbi*) algorithm. For example,

$$r_{m \rightarrow n}(x_n) = \max_{\vec{x}_m \setminus x_n} f_m(\vec{x}_m) \prod_{n' \in N(m) \setminus \{n\}} q_{n' \rightarrow m}(x_{n'})$$

Since products of many small probabilities may lead to numerical underflow, we take the logarithm of the joint distribution, replacing the products in the *max-product* algorithm with sums, so we obtain the *max-sum* algorithm.

$$\max \prod f_m \longrightarrow \max \log \prod f_m \longrightarrow \max \sum \log f_m$$

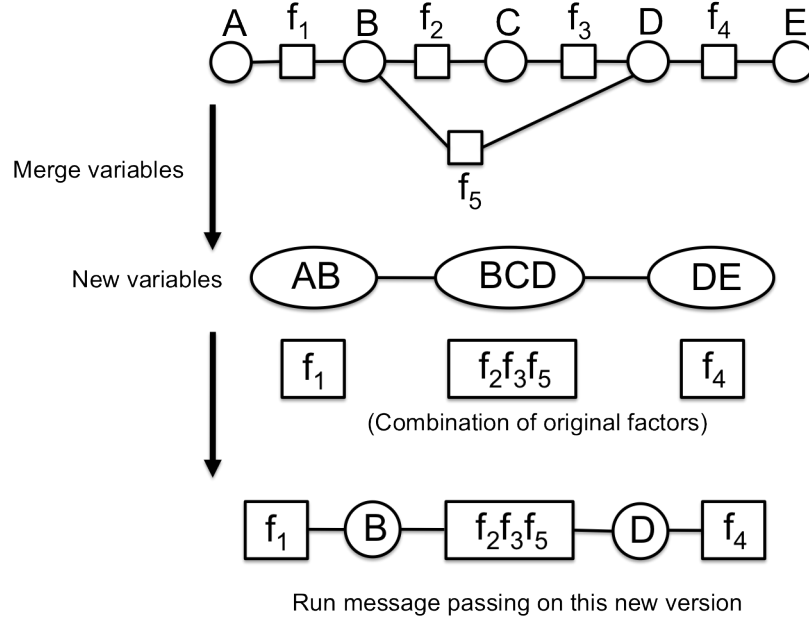


Figure 2: An example of *tree decomposition*

3 Tree Decomposition

If we consider a decision problem instead of a numerical version, the original *max-product* algorithm will be:

$$\text{find } x_1, \dots, x_N \text{ s.t. } \bigwedge_m f_m(\vec{x}_m).$$

We need to find some assignments to make it 1, which can be seen as a reduction from the *3-SAT* problem (*constraint satisfaction*). So the problem is \mathcal{NP} -complete in general.

To solve the problem, we force the graph to look like a tree, which is *tree decomposition*. Figure 2 shows an example.

Given a *Factor Graph*, we first need to make a new graph (*Dependency Graph*) by replacing each factor with a clique, shown in Figure 3. Then we apply the *tree decomposition*.

Tree decomposition can be explained as: given graph $G = (V, E)$, we want to find $(\{X_i\}, T)$, $X_i \subseteq V$, $T = \text{tree over } \{X_i\}$. It should satisfy 3 conditions:

1. $\bigcup_i X_i = V$, which means the new graph should cover all the vertex;
2. For $(u, v) \in E$, $\exists X_i$ such that $u, v \in X_i$;
3. If j is on the path from i to k in T , then $(X_i \cap X_k) \subseteq X_j$ (*running intersection property*).

Using this method, we can get the new graph in Figure 3 with $X_1 = \{A, B\}$, $X_2 = \{B, C, D\}$, and $X_3 = \{D, E\}$. The complexity of original problem is $O((N+M)(k+l)2^{l-1})$, with $l = \max_m |N(m)|$. By *tree decomposition*, we can obtain $l = \max_i |X_i|$. Figure 4 shows the procedure to do *tree decomposition* on a directed graphical model.

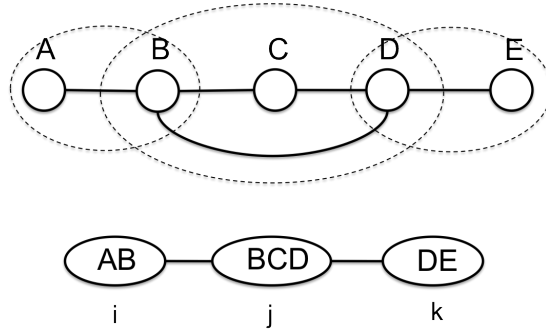


Figure 3: Dependency graph for *tree decomposition* (vertex for each variables)

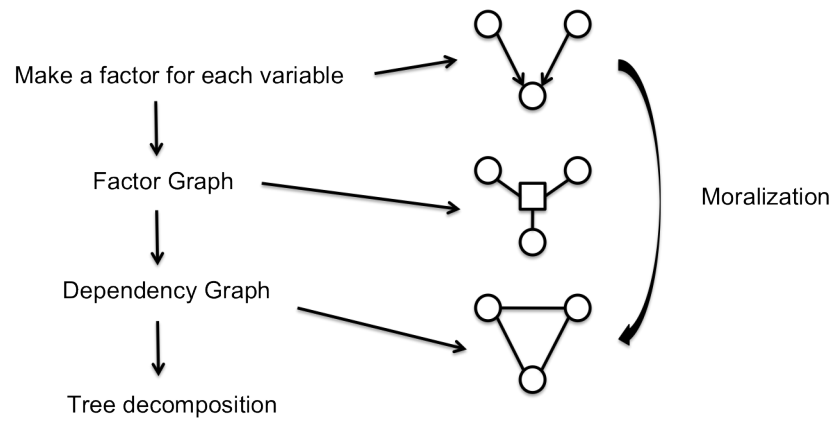


Figure 4: The procedure of *tree decomposition* on a directed graphical model (we can directly get *Dependency Graph* by *moralization*)

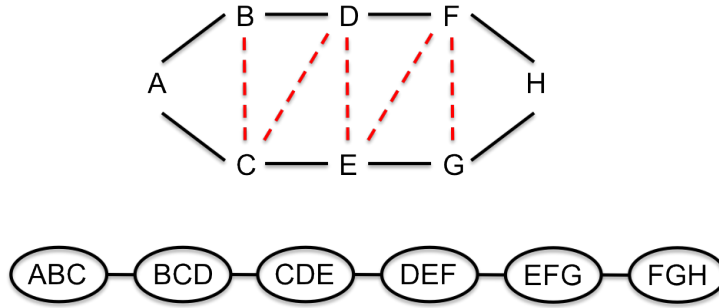


Figure 5: An example of *Vertex Elimination* on a single cycle

A new concept is the *treewidth* of a graph:

$$treewidth(G) = \min_{(\{X_i\}, T)} \max_i |X_i| - 1$$

For example, $treewidth(tree) = 1$, $treewidth(cycle) = 2$, and the worst case, $treewidth(K_n) = n - 1$ (K_n is a complete graph with n vertices). If the treewidth of the original graph is high, the *tree decomposition* becomes impractical.

Actually, finding the best *tree decomposition* is \mathcal{NP} -complete. One practical way is *Vertex Elimination*:

1. choose vertex v (heuristically, choose v with fewest neighbors);
2. create X_i for v and its neighbors;
3. remove v ;
4. connect v 's neighbors;
5. repeat the first four steps until no new vertex.

Vertex Elimination cannot ensure to find the optimum solution. Figure 5 shows an example of this method on a single cycle.

Another way to do *tree decomposition* is *Triangulation*:

1. find cycle without chord (shortcut);
2. add chord;
3. repeat the first two steps until triangulated (no cycles without chords).

The cliques in the new graph are X_i in the *tree decomposition*.