

CSC 252: Computer Organization

Spring 2022: Lecture 3

Instructor: Yuhao Zhu

Department of Computer Science
University of Rochester

Announcement

- Programming Assignment 1 is out
 - Details: <https://www.cs.rochester.edu/courses/252/spring2022/labs/assignment1.html>
 - Due on Jan. 28, 11:59 PM
 - You have 3 slip days

16	17	18	19	20 Today	21	22
23	24	25	26	27	28 Due	29

Announcement

- Programming assignment 1 is in C language. Seek help from TAs.
- TAs are best positioned to answer your questions about programming assignments!!!
- Programming assignments do NOT repeat the lecture materials. They ask you to synthesize what you have learned from the lectures and work out something new.

Sign-Magnitude Implications

- Bits have different semantics
 - Two zeros...
 - Normal arithmetic doesn't work
 - Make hardware design harder

Signed Value	Binary
0	000
1	001
2	010
3	011
-0	100
-1	101
-2	110
-3	111

Sign-Magnitude Implications

- Bits have different semantics
 - Two zeros...
 - Normal arithmetic doesn't work
 - Make hardware design harder

$$\begin{array}{r} 010 \\ +) 101 \\ \hline 111 \end{array}$$

Signed Value	Binary
0	000
1	001
2	010
3	011
-0	100
-1	101
-2	110
-3	111

Sign-Magnitude Implications

- Bits have different semantics
 - Two zeros...
 - Normal arithmetic doesn't work
 - Make hardware design harder

$$\begin{array}{r} 010 \\ +) 101 \\ \hline 111 \end{array}$$

$$\begin{array}{r} 2 \\ +) -1 \\ \hline -3 \end{array}$$

Signed Value	Binary
0	000
1	001
2	010
3	011
-0	100
-1	101
-2	110
-3	111

Sign-Magnitude Implications

- Bits have different semantics
 - Two zeros...
 - Normal arithmetic doesn't work
 - Make hardware design harder

~~$$\begin{array}{r} 010 \\ +) 101 \\ \hline 111 \end{array}$$~~

~~$$\begin{array}{r} 2 \\ +) -1 \\ \hline -3 \end{array}$$~~

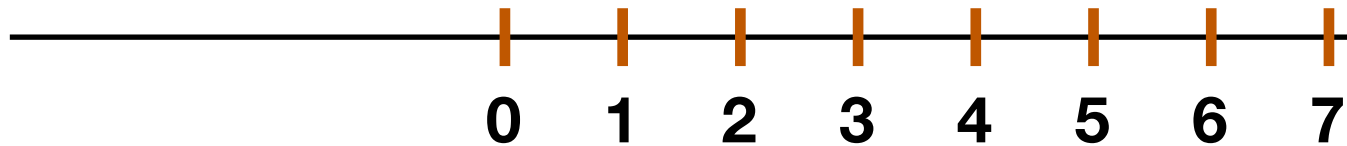
Signed Value	Binary
0	000
1	001
2	010
3	011
-0	100
-1	101
-2	110
-3	111

Encoding Negative Numbers

- Solution 2: Two's Complement

Encoding Negative Numbers

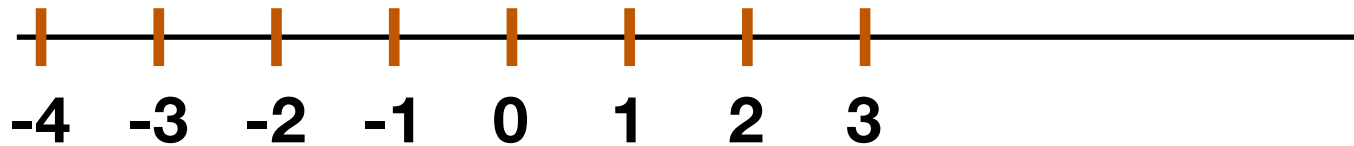
- Solution 2: Two's Complement



Unsigned	Binary
0	000
1	001
2	010
3	011
4	100
5	101
6	110
7	111

Encoding Negative Numbers

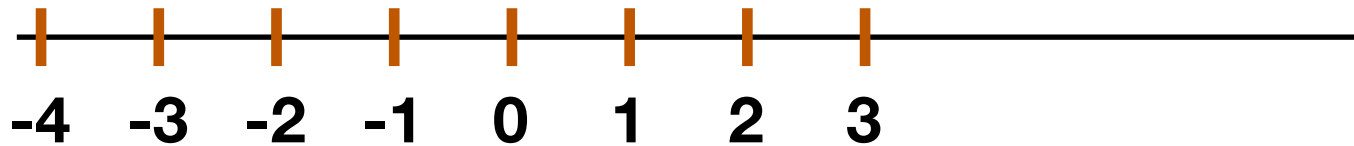
- Solution 2: Two's Complement



Unsigned	Binary
0	000
1	001
2	010
3	011
4	100
5	101
6	110
7	111

Encoding Negative Numbers

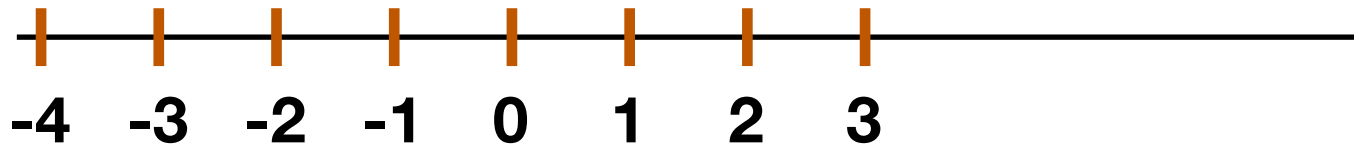
- Solution 2: Two's Complement



Signed	Unsigned	Binary
0	0	000
1	1	001
2	2	010
3	3	011
-4	4	100
-3	5	101
-2	6	110
-1	7	111

Encoding Negative Numbers

- Solution 2: Two's Complement

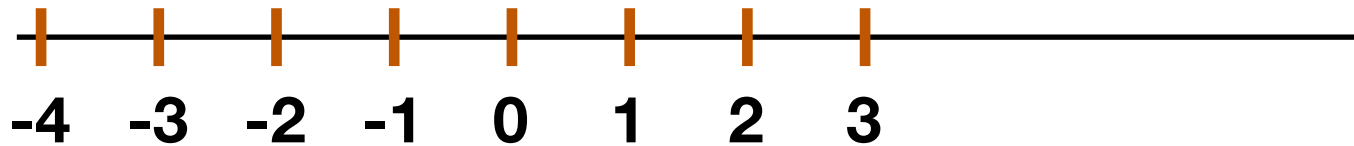


Signed Weight	Unsigned Weight	Bit Position
2^0	2^0	0
2^1	2^1	1
-2^2	2^2	2

Signed	Unsigned	Binary
0	0	000
1	1	001
2	2	010
3	3	011
-4	4	100
-3	5	101
-2	6	110
-1	7	111

Encoding Negative Numbers

- Solution 2: Two's Complement

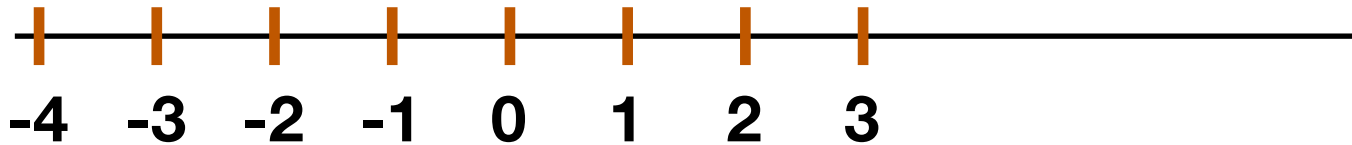


Signed Weight	Unsigned Weight	Bit Position
2^0	2^0	0
2^1	2^1	1
-2^2	2^2	2

Signed	Unsigned	Binary
0	0	000
1	1	001
2	2	010
3	3	011
-4	4	100
-3	5	101
-2	6	110
-1	7	111

Encoding Negative Numbers

- Solution 2: Two's Complement



Signed Weight	Unsigned Weight	Bit Position
2^0	2^0	0
2^1	2^1	1
-2^2	2^2	2

Signed	Unsigned	Binary
0	0	000
1	1	001
2	2	010
3	3	011
-4	4	100
-3	5	101
-2	6	110
-1	7	111

$$101_2 = 1 \cdot 2^0 + 0 \cdot 2^1 - 1 \cdot 2^2 = -3_{10}$$

Two-Complement Encoding Example

$x =$ 15213: 00111011 01101101
 $y =$ -15213: 11000100 10010011

Weight	15213		-15213	
1	1	1	1	1
2	0	0	1	2
4	1	4	0	0
8	1	8	0	0
16	0	0	1	16
32	1	32	0	0
64	1	64	0	0
128	0	0	1	128
256	1	256	0	0
512	1	512	0	0
1024	0	0	1	1024
2048	1	2048	0	0
4096	1	4096	0	0
8192	1	8192	0	0
16384	0	0	1	16384
-32768	0	0	1	-32768
Sum	15213		-15213	

Two-Complement Implications

- Only 1 zero
- Usual arithmetic still works
- There is a bit that represents the sign!
- Most widely used in today's machines

Signed	Binary
0	000
1	001
2	010
3	011
-4	100
-3	101
-2	110
-1	111

Two-Complement Implications

- Only 1 zero
- Usual arithmetic still works
- There is a bit that represents the sign!
- Most widely used in today's machines

$$\begin{array}{r} 010 \\ +) 101 \\ \hline 111 \end{array}$$

Signed	Binary
0	000
1	001
2	010
3	011
-4	100
-3	101
-2	110
-1	111

Two-Complement Implications

- Only 1 zero
- Usual arithmetic still works
- There is a bit that represents the sign!
- Most widely used in today's machines

$$\begin{array}{r} 010 \\ +) 101 \\ \hline 111 \end{array}$$

$$\begin{array}{r} 2 \\ +) -3 \\ \hline -1 \end{array}$$

Signed	Binary
0	000
1	001
2	010
3	011
-4	100
-3	101
-2	110
-1	111

Numeric Ranges

Numeric Ranges

- Unsigned Values

- $UMin = 0$
000...0

- $UMax = 2^w - 1$
111...1

Numeric Ranges

- Unsigned Values

- $UMin = 0$
000...0

- $UMax = 2^w - 1$
111...1

- Two's Complement Values

- $TMin = -2^{w-1}$
100...0

- $TMax = 2^{w-1} - 1$
011...1

Numeric Ranges

- Unsigned Values

- $UMin = 0$
000...0

- $UMax = 2^w - 1$
111...1

- Two's Complement Values

- $TMin = -2^{w-1}$
100...0

- $TMax = 2^{w-1} - 1$
011...1

Values for $W = 16$

	Decimal	Hex	Binary
UMax	65535	FF FF	11111111 11111111
TMax	32767	7F FF	01111111 11111111
TMin	-32768	80 00	10000000 00000000
-1	-1	FF FF	11111111 11111111
0	0	00 00	00000000 00000000

Numeric Ranges

- Unsigned Values

- $UMin = 0$
000...0

- $UMax = 2^w - 1$
111...1

- Two's Complement Values

- $TMin = -2^{w-1}$
100...0

- $TMax = 2^{w-1} - 1$
011...1

- Other Values

- Minus 1
111...1

Values for $W = 16$

	Decimal	Hex	Binary
UMax	65535	FF FF	11111111 11111111
TMax	32767	7F FF	01111111 11111111
TMin	-32768	80 00	10000000 00000000
-1	-1	FF FF	11111111 11111111
0	0	00 00	00000000 00000000

Data Representations in C (in Bytes)

- By default variables are signed
- Unless explicitly declared as unsigned (e.g., `unsigned int`)
- Signed variables use two-complement encoding

C Data Type	32-bit	64-bit
<code>char</code>	1	1
<code>short</code>	2	2
<code>int</code>	4	4
<code>long</code>	4	8

Data Representations in C (in Bytes)

	W			
	8	16	32	64
UMax	255	65,535	4,294,967,295	18,446,744,073,709,551,615
TMax	127	32,767	2,147,483,647	9,223,372,036,854,775,807
TMin	-128	-32,768	-2,147,483,648	-9,223,372,036,854,775,808

C Data Type	32-bit	64-bit
<code>char</code>	1	1
<code>short</code>	2	2
<code>int</code>	4	4
<code>long</code>	4	8

Data Representations in C (in Bytes)

	W			
	8	16	32	64
UMax	255	65,535	4,294,967,295	18,446,744,073,709,551,615
TMax	127	32,767	2,147,483,647	9,223,372,036,854,775,807
TMin	-128	-32,768	-2,147,483,648	-9,223,372,036,854,775,808

C Data Type	32-bit	64-bit
<code>char</code>	1	1
<code>short</code>	2	2
<code>int</code>	4	4
<code>long</code>	4	8

- C Language
 - `#include <limits.h>`
 - Declares constants, e.g.,
 - `ULONG_MAX`
 - `LONG_MAX`
 - `LONG_MIN`
 - Values platform specific

Can We Represent Fractions in Binary?

- What does 10.01_2 mean?
- C.f., Decimal
 - $12.45 = 1*10^1 + 2*10^0 + 4*10^{-1} + 5*10^{-2}$
- $10.01_2 = 1*2^1 + 0*2^0 + 0*2^{-1} + 1*2^{-2} = 2.25_{10}$

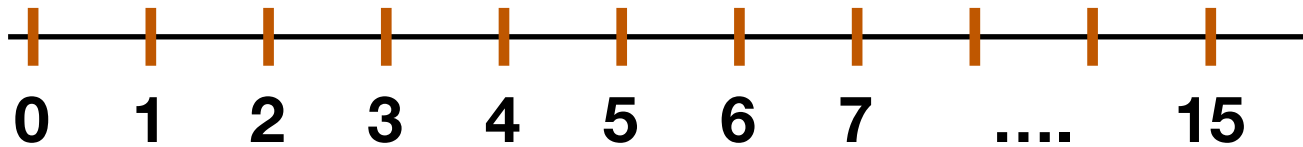
Can We Represent Fractions in Binary?

- What does 10.01_2 mean?
- C.f., Decimal
 - $12.45 = 1 \cdot 10^1 + 2 \cdot 10^0 + 4 \cdot 10^{-1} + 5 \cdot 10^{-2}$
- $10.01_2 = 1 \cdot 2^1 + 0 \cdot 2^0 + 0 \cdot 2^{-1} + 1 \cdot 2^{-2} = 2.25_{10}$

Decimal	Binary
0	00.00
0.25	00.01
0.5	00.10
0.75	00.11
1	01.00
1.25	01.01
1.5	01.10
1.75	01.11
2	10.00
2.25	10.01
2.5	10.10
2.75	10.11
3	11.00
3.25	11.01
3.5	11.10
3.75	11.11

Can We Represent Fractions in Binary?

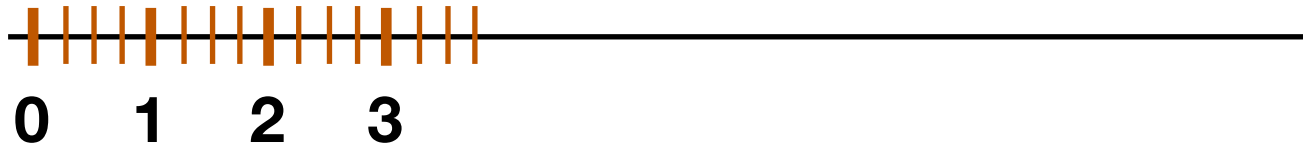
- What does 10.01_2 mean?
- C.f., Decimal
 - $12.45 = 1 \cdot 10^1 + 2 \cdot 10^0 + 4 \cdot 10^{-1} + 5 \cdot 10^{-2}$
- $10.01_2 = 1 \cdot 2^1 + 0 \cdot 2^0 + 0 \cdot 2^{-1} + 1 \cdot 2^{-2} = 2.25_{10}$



Decimal	Binary
0	00.00
0.25	00.01
0.5	00.10
0.75	00.11
1	01.00
1.25	01.01
1.5	01.10
1.75	01.11
2	10.00
2.25	10.01
2.5	10.10
2.75	10.11
3	11.00
3.25	11.01
3.5	11.10
3.75	11.11

Can We Represent Fractions in Binary?

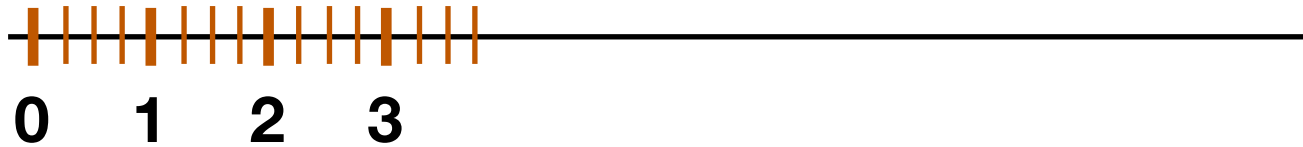
- What does 10.01_2 mean?
- C.f., Decimal
 - $12.45 = 1 \cdot 10^1 + 2 \cdot 10^0 + 4 \cdot 10^{-1} + 5 \cdot 10^{-2}$
- $10.01_2 = 1 \cdot 2^1 + 0 \cdot 2^0 + 0 \cdot 2^{-1} + 1 \cdot 2^{-2} = 2.25_{10}$



Decimal	Binary
0	00.00
0.25	00.01
0.5	00.10
0.75	00.11
1	01.00
1.25	01.01
1.5	01.10
1.75	01.11
2	10.00
2.25	10.01
2.5	10.10
2.75	10.11
3	11.00
3.25	11.01
3.5	11.10
3.75	11.11

Can We Represent Fractions in Binary?

- What does 10.01_2 mean?
- C.f., Decimal
 - $12.45 = 1 \cdot 10^1 + 2 \cdot 10^0 + 4 \cdot 10^{-1} + 5 \cdot 10^{-2}$
- $10.01_2 = 1 \cdot 2^1 + 0 \cdot 2^0 + 0 \cdot 2^{-1} + 1 \cdot 2^{-2} = 2.25_{10}$



$$\begin{array}{r}
 01.10 \\
 + 01.01 \\
 \hline
 10.11
 \end{array}$$

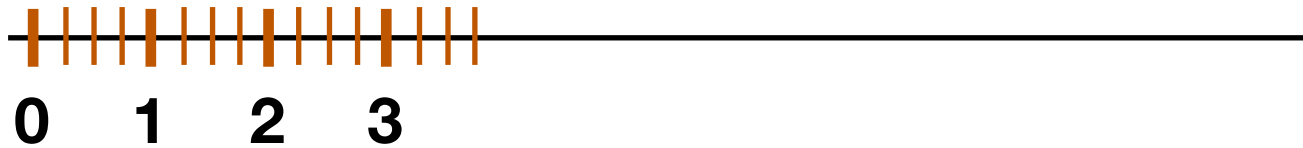
$$\begin{array}{r}
 1.50 \\
 + 1.25 \\
 \hline
 2.75
 \end{array}$$

Decimal	Binary
0	00.00
0.25	00.01
0.5	00.10
0.75	00.11
1	01.00
1.25	01.01
1.5	01.10
1.75	01.11
2	10.00
2.25	10.01
2.5	10.10
2.75	10.11
3	11.00
3.25	11.01
3.5	11.10
3.75	11.11

Can We Represent Fractions in Binary?

- What does 10.01_2 mean?
- C.f., Decimal
 - $12.45 = 1 \cdot 10^1 + 2 \cdot 10^0 + 4 \cdot 10^{-1} + 5 \cdot 10^{-2}$
- $10.01_2 = 1 \cdot 2^1 + 0 \cdot 2^0 + 0 \cdot 2^{-1} + 1 \cdot 2^{-2} = 2.25_{10}$

Decimal	Binary
0	00.00
0.25	00.01
0.5	00.10
0.75	00.11
1	01.00
1.25	01.01
1.5	01.10
1.75	01.11
2	10.00
2.25	10.01
2.5	10.10
2.75	10.11
3	11.00
3.25	11.01
3.5	11.10
3.75	11.11



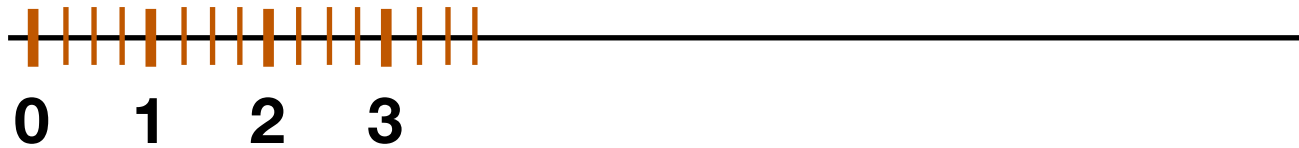
Integer Arithmetic Still Works!

$$\begin{array}{r}
 01.10 \\
 + 01.01 \\
 \hline
 10.11
 \end{array}$$

$$\begin{array}{r}
 1.50 \\
 + 1.25 \\
 \hline
 2.75
 \end{array}$$

Fixed-Point Representation

- Fixed interval between two representable numbers as long as the **binary point stays fixed**
 - The interval is 0.25_{10} here
- **Fixed-point** representation of numbers
 - Integer is one special case of fixed-point



$$\begin{array}{r}
 01.10 \\
 + 01.01 \\
 \hline
 10.11
 \end{array}$$

$$\begin{array}{r}
 1.50 \\
 + 1.25 \\
 \hline
 2.75
 \end{array}$$

Decimal	Binary
0	00.00
0.25	00.01
0.5	00.10
0.75	00.11
1	01.00
1.25	01.01
1.5	01.10
1.75	01.11
2	10.00
2.25	10.01
2.5	10.10
2.75	10.11
3	11.00
3.25	11.01
3.5	11.10
3.75	11.11

Today: Representing Information in Binary

- Why Binary (bits)?
- Bit-level manipulations
- **Integers**
 - Representation: unsigned and signed
 - Conversion, casting
 - Expanding, truncating
 - Addition, negation, multiplication, shifting
 - Summary
- Representations in memory, pointers, strings

One Bit Sequence, Two Interpretations

- A sequence of bits can be interpreted as either a signed integer or an unsigned integer

Signed	Unsigned	Binary
0	0	000
1	1	001
2	2	010
3	3	011
-4	4	100
-3	5	101
-2	6	110
-1	7	111

Signed vs. Unsigned Conversion in C

- What happens when we convert between signed and unsigned numbers?
- Casting (In C terminology)
 - Explicit casting between signed & unsigned

```
int tx, ty = -4;  
unsigned ux = 7, uy;  
tx = (int) ux; // U2T  
uy = (unsigned) ty; // T2U
```

- Implicit casting
 - e.g., assignments, function calls
- ```
tx = ux;
uy = ty;
```

# Mapping Between Signed & Unsigned

- Mappings between unsigned and two's complement numbers: **Keep bit representations and reinterpret**

# Mapping Between Signed & Unsigned

- Mappings between unsigned and two's complement numbers: **Keep bit representations and reinterpret**

| Signed | Unsigned | Binary |
|--------|----------|--------|
| 0      | 0        | 000    |
| 1      | 1        | 001    |
| 2      | 2        | 010    |
| 3      | 3        | 011    |
| -4     | 4        | 100    |
| -3     | 5        | 101    |
| -2     | 6        | 110    |
| -1     | 7        | 111    |

# Mapping Signed $\leftrightarrow$ Unsigned

| Bits |
|------|
| 0000 |
| 0001 |
| 0010 |
| 0011 |
| 0100 |
| 0101 |
| 0110 |
| 0111 |
| 1000 |
| 1001 |
| 1010 |
| 1011 |
| 1100 |
| 1101 |
| 1110 |
| 1111 |

| Signed |
|--------|
| 0      |
| 1      |
| 2      |
| 3      |
| 4      |
| 5      |
| 6      |
| 7      |
| -8     |
| -7     |
| -6     |
| -5     |
| -4     |
| -3     |
| -2     |
| -1     |

| Unsigned |
|----------|
| 0        |
| 1        |
| 2        |
| 3        |
| 4        |
| 5        |
| 6        |
| 7        |
| 8        |
| 9        |
| 10       |
| 11       |
| 12       |
| 13       |
| 14       |
| 15       |

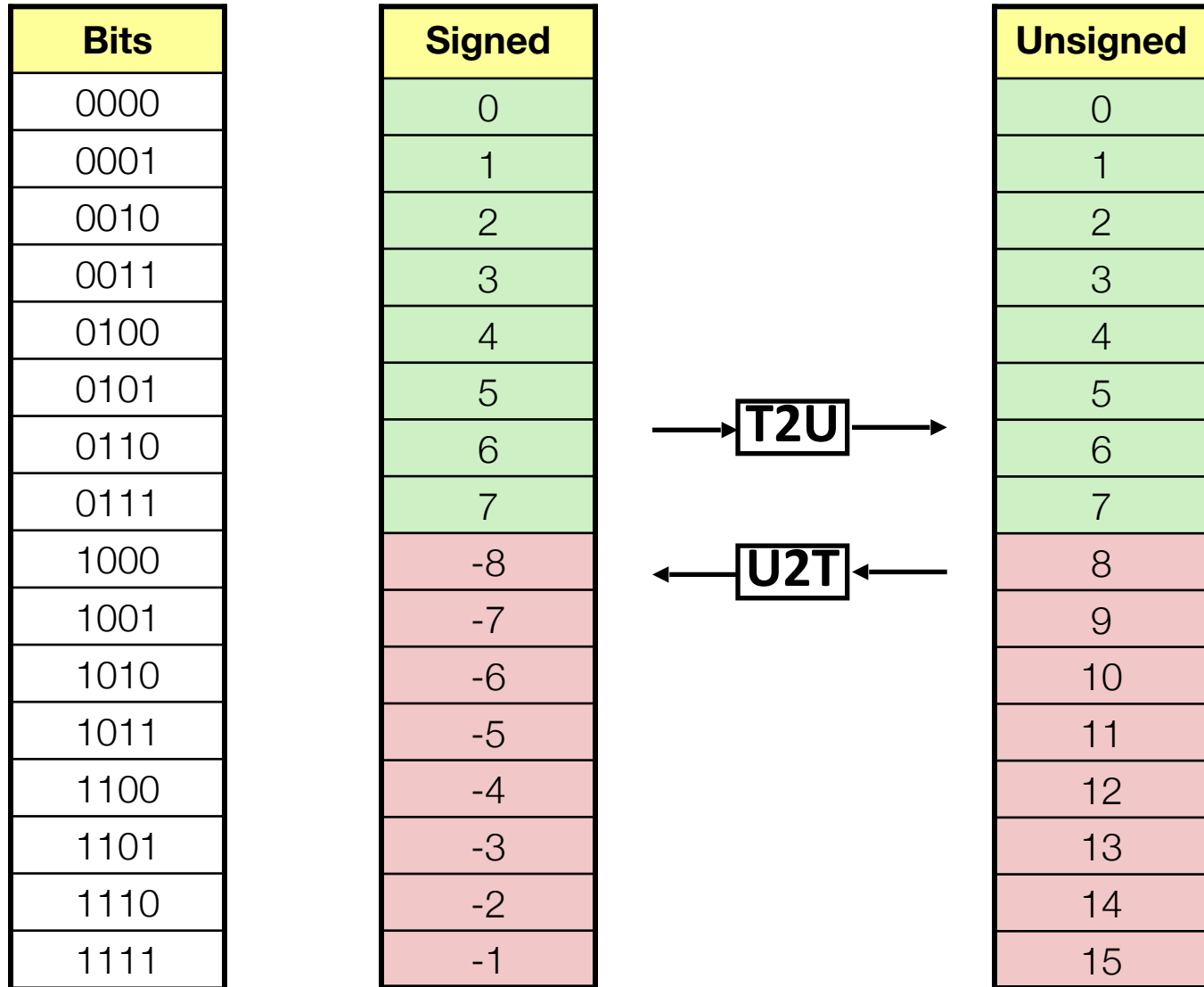
# Mapping Signed $\leftrightarrow$ Unsigned

| Bits | Signed | Unsigned |
|------|--------|----------|
| 0000 | 0      | 0        |
| 0001 | 1      | 1        |
| 0010 | 2      | 2        |
| 0011 | 3      | 3        |
| 0100 | 4      | 4        |
| 0101 | 5      | 5        |
| 0110 | 6      | 6        |
| 0111 | 7      | 7        |
| 1000 | -8     | 8        |
| 1001 | -7     | 9        |
| 1010 | -6     | 10       |
| 1011 | -5     | 11       |
| 1100 | -4     | 12       |
| 1101 | -3     | 13       |
| 1110 | -2     | 14       |
| 1111 | -1     | 15       |

→ **T2U** →



# Mapping Signed $\leftrightarrow$ Unsigned



# Mapping Signed $\leftrightarrow$ Unsigned

| Bits | Signed | Unsigned |
|------|--------|----------|
| 0000 | 0      | 0        |
| 0001 | 1      | 1        |
| 0010 | 2      | 2        |
| 0011 | 3      | 3        |
| 0100 | 4      | 4        |
| 0101 | 5      | 5        |
| 0110 | 6      | 6        |
| 0111 | 7      | 7        |
| 1000 | -8     | 8        |
| 1001 | -7     | 9        |
| 1010 | -6     | 10       |
| 1011 | -5     | 11       |
| 1100 | -4     | 12       |
| 1101 | -3     | 13       |
| 1110 | -2     | 14       |
| 1111 | -1     | 15       |



# Mapping Signed $\leftrightarrow$ Unsigned

| Bits | Signed |                                 | Unsigned |
|------|--------|---------------------------------|----------|
| 0000 | 0      | $\longleftrightarrow$<br>=      | 0        |
| 0001 | 1      |                                 | 1        |
| 0010 | 2      |                                 | 2        |
| 0011 | 3      |                                 | 3        |
| 0100 | 4      |                                 | 4        |
| 0101 | 5      |                                 | 5        |
| 0110 | 6      |                                 | 6        |
| 0111 | 7      |                                 | 7        |
| 1000 | -8     | $\longleftrightarrow$<br>+/- 16 | 8        |
| 1001 | -7     |                                 | 9        |
| 1010 | -6     |                                 | 10       |
| 1011 | -5     |                                 | 11       |
| 1100 | -4     |                                 | 12       |
| 1101 | -3     |                                 | 13       |
| 1110 | -2     |                                 | 14       |
| 1111 | -1     |                                 | 15       |

# Conversion Visualized

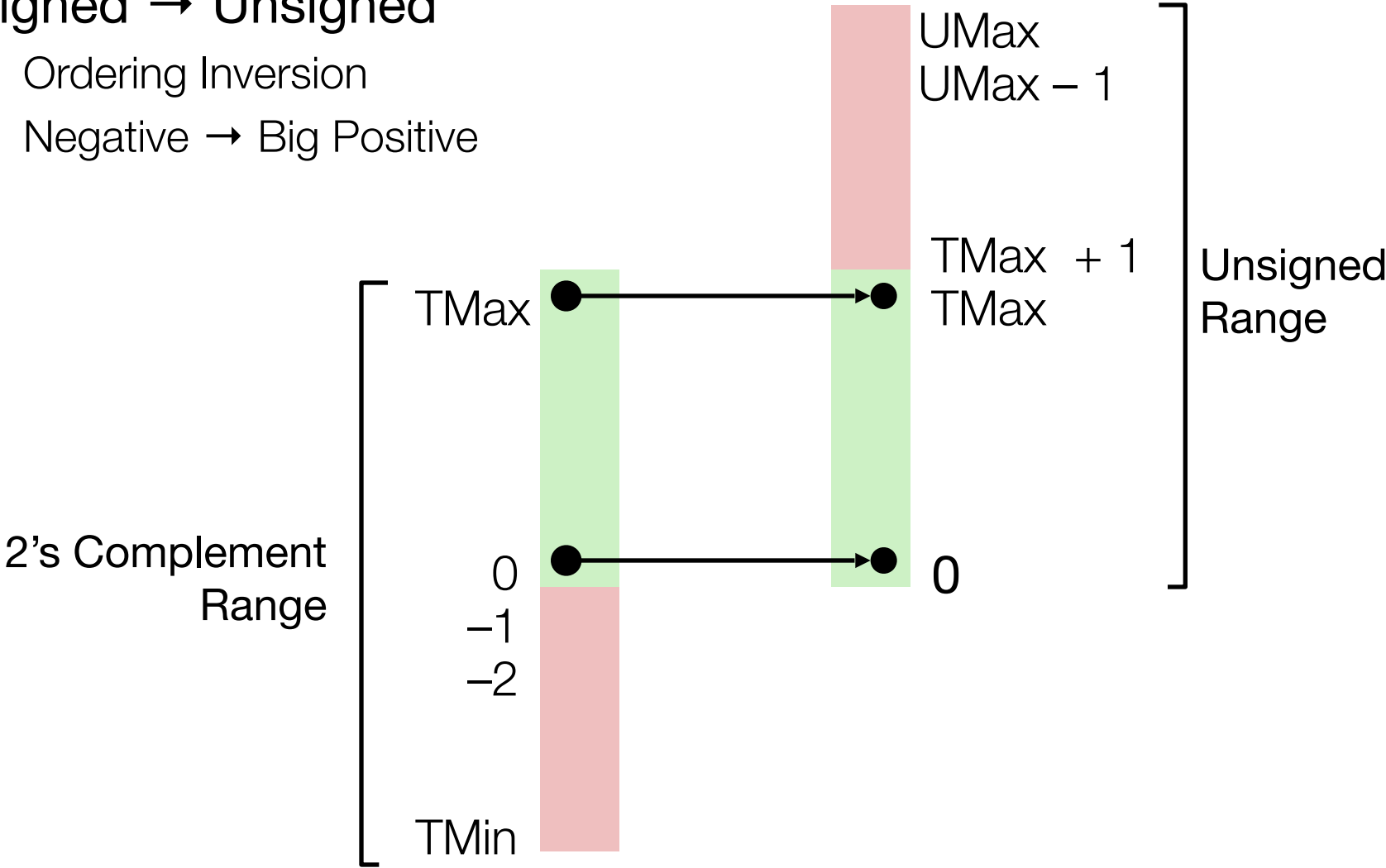
- Signed  $\rightarrow$  Unsigned

- Ordering Inversion
- Negative  $\rightarrow$  Big Positive



# Conversion Visualized

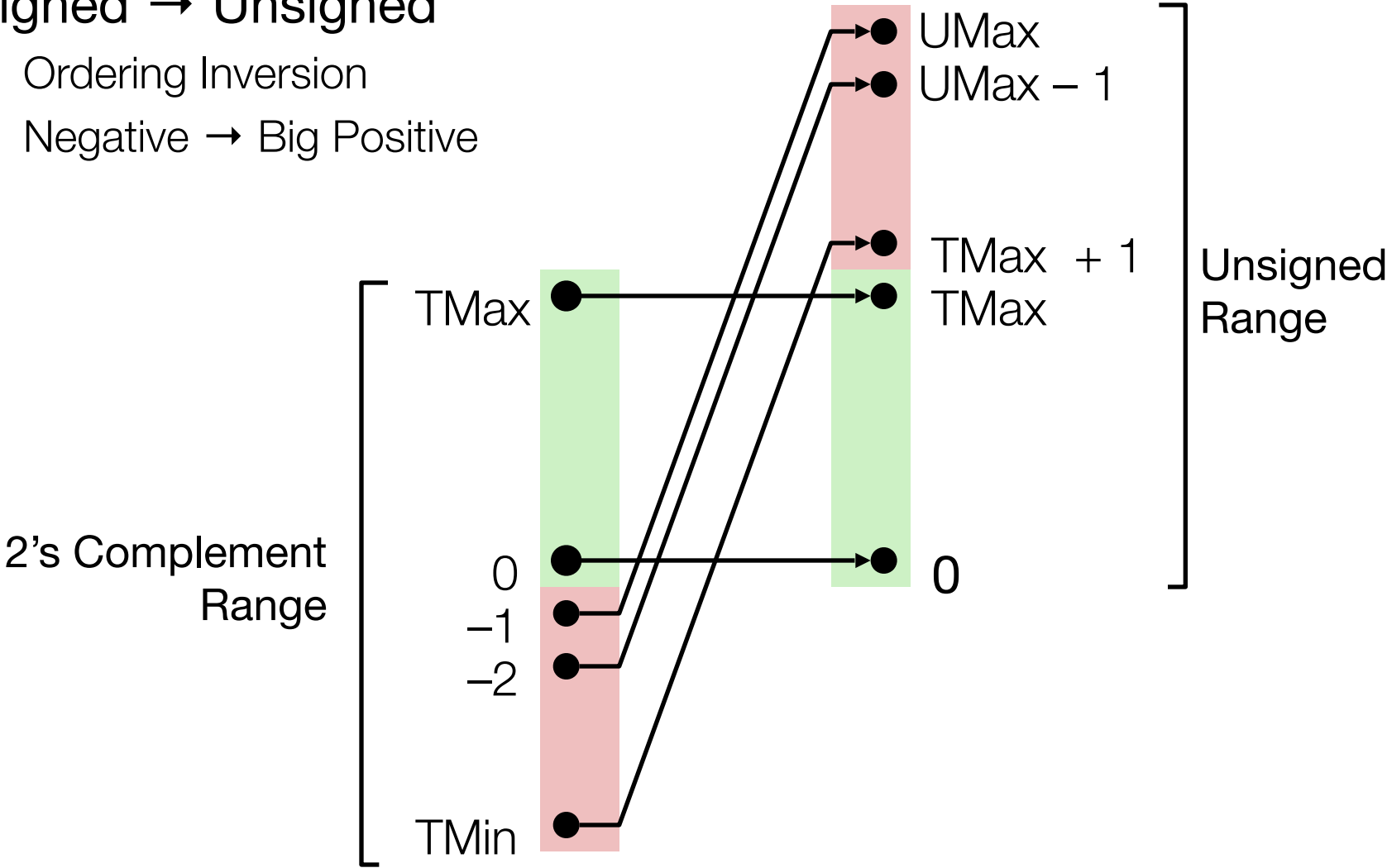
- Signed  $\rightarrow$  Unsigned
  - Ordering Inversion
  - Negative  $\rightarrow$  Big Positive



# Conversion Visualized

- Signed  $\rightarrow$  Unsigned

- Ordering Inversion
- Negative  $\rightarrow$  Big Positive



# Today: Representing Information in Binary

- Why Binary (bits)?
- Bit-level manipulations
- **Integers**
  - Representation: unsigned and signed
  - Conversion, casting
  - **Expanding, truncating**
  - Addition, negation, multiplication, shifting
  - Summary
- Representations in memory, pointers, strings

# The Problem

```
short int x = 15213;
int ix = (int) x;
short int y = -15213;
int iy = (int) y;
```

| C Data Type | # of Bytes |
|-------------|------------|
| char        | 1          |
| short       | 2          |
| int         | 4          |
| long        | 8          |



# The Problem

```
short int x = 15213;
int ix = (int) x;
short int y = -15213;
int iy = (int) y;
```

- Converting from smaller to larger integer data type
- Should we preserve the value?
- Can we preserve the value?
- How?

| C Data Type | # of Bytes |
|-------------|------------|
| char        | 1          |
| short       | 2          |
| int         | 4          |
| long        | 8          |

# The Problem

```
short int x = 15213;
int ix = (int) x;
short int y = -15213;
int iy = (int) y;
```

| C Data Type | # of Bytes |
|-------------|------------|
| char        | 1          |
| short       | 2          |
| int         | 4          |
| long        | 8          |

- Converting from smaller to larger integer data type
- Should we preserve the value?
- Can we preserve the value?
- How?

|           | Decimal | Hex         | Binary                              |
|-----------|---------|-------------|-------------------------------------|
| <b>x</b>  | 15213   | 3B 6D       | 00111011 01101101                   |
| <b>ix</b> | 15213   | 00 00 3B 6D | 00000000 00000000 00111011 01101101 |
| <b>y</b>  | -15213  | C4 93       | 11000100 10010011                   |
| <b>iy</b> | -15213  | FF FF C4 93 | 11111111 11111111 11000100 10010011 |

# Signed Extension

- Task:
  - Given  $w$ -bit signed integer  $x$
  - Convert it to  $(w+k)$ -bit integer with same value

# Signed Extension

- Task:

- Given  $w$ -bit signed integer  $x$
- Convert it to  $(w+k)$ -bit integer with same value

- Rule:

- Make  $k$  copies of sign bit:
- $X' = \underbrace{x_{w-1}, \dots, x_{w-1}}_{k \text{ copies of MSB}}, x_{w-1}, x_{w-2}, \dots, x_0$

$k$  copies of MSB

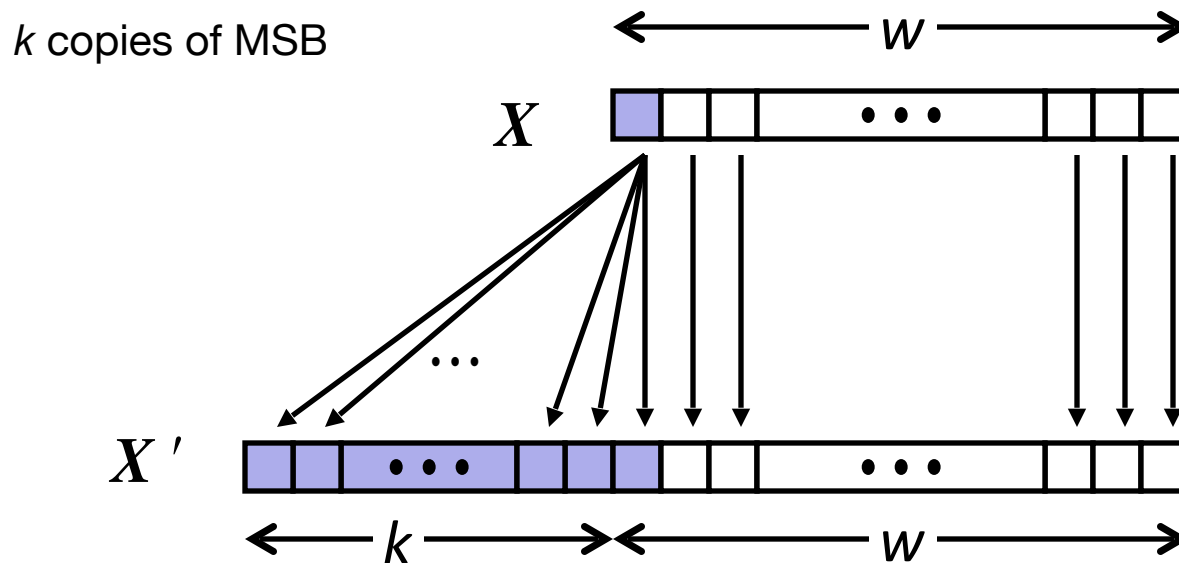
# Signed Extension

- Task:

- Given  $w$ -bit signed integer  $x$
- Convert it to  $(w+k)$ -bit integer with same value

- Rule:

- Make  $k$  copies of sign bit:
- $X' = \underbrace{x_{w-1}, \dots, x_{w-1}}_{k \text{ copies of MSB}}, x_{w-1}, x_{w-2}, \dots, x_0$



# Another Problem

```
unsigned short x = 47981;
unsigned int ux = x;
```

|           | Decimal | Hex         | Binary                              |
|-----------|---------|-------------|-------------------------------------|
| <b>x</b>  | 47981   | BB 6D       | 10111011 01101101                   |
| <b>ux</b> | 47981   | 00 00 BB 6D | 00000000 00000000 10111011 01101101 |

# Unsigned (Zero) Extension

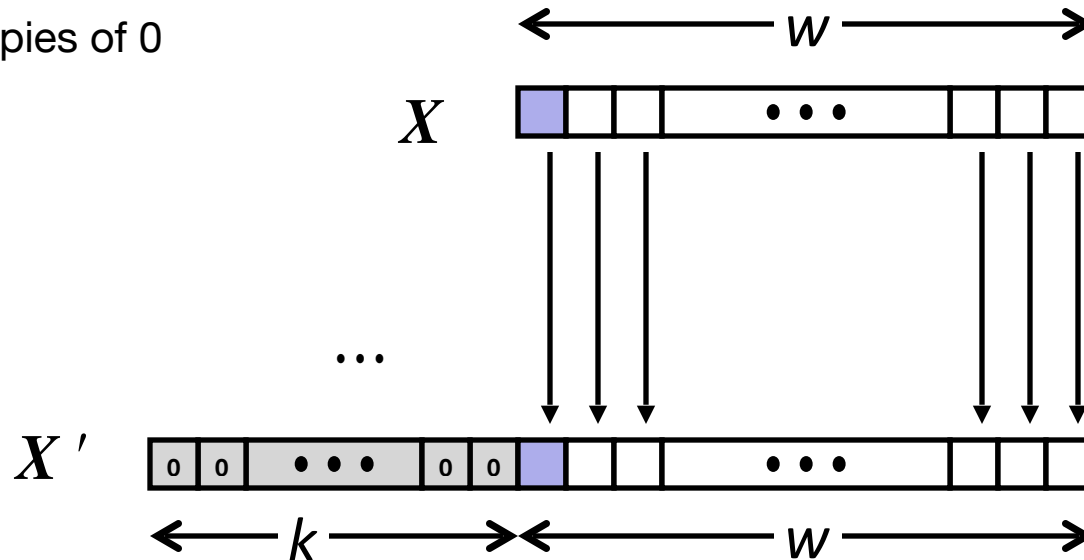
- Task:

- Given  $w$ -bit unsigned integer  $x$
- Convert it to  $(w+k)$ -bit integer with same value

- Rule:

- Simply pad zeros:
- $X' = \underbrace{0, \dots, 0}_{k \text{ copies of } 0}, x_{w-1}, x_{w-2}, \dots, x_0$

$k$  copies of 0



# Yet Another Problem

```
int x = 53191;
short sx = (short) x;
```

|           | Decimal | Hex         | Binary                              |
|-----------|---------|-------------|-------------------------------------|
| <b>x</b>  | 53191   | 00 00 CF C7 | 00000000 00000000 11001111 11000111 |
| <b>sx</b> | -12345  | CF C7       | 11001111 11000111                   |



# Yet Another Problem

```
int x = 53191;
short sx = (short) x;
```

|           | Decimal | Hex         | Binary                              |
|-----------|---------|-------------|-------------------------------------|
| <b>x</b>  | 53191   | 00 00 CF C7 | 00000000 00000000 11001111 11000111 |
| <b>sx</b> | -12345  | CF C7       | 11001111 11000111                   |

- Truncating (e.g., int to short)
  - C's implementation: leading bits are truncated, results reinterpreted
  - So can't always preserve the numerical value

# Today: Representing Information in Binary

- Why Binary (bits)?
- Bit-level manipulations
- **Integers**
  - Representation: unsigned and signed
  - Conversion, casting
  - Expanding, truncating
  - **Addition, negation, multiplication, shifting**
  - Summary
- Representations in memory, pointers, strings

# Unsigned Addition

| Unsigned | Binary |
|----------|--------|
| 0        | 000    |
| 1        | 001    |
| 2        | 010    |
| 3        | 011    |
| 4        | 100    |
| 5        | 101    |
| 6        | 110    |
| 7        | 111    |

# Unsigned Addition

- Similar to Decimal Addition

| Unsigned | Binary |
|----------|--------|
| 0        | 000    |
| 1        | 001    |
| 2        | 010    |
| 3        | 011    |
| 4        | 100    |
| 5        | 101    |
| 6        | 110    |
| 7        | 111    |

# Unsigned Addition

- Similar to Decimal Addition
- Suppose we have a new data type that is 3-bit wide (c.f., **short** has 16 bits)

Normal  
Case

$$\begin{array}{r} \phantom{+)} 010 \\ +) 101 \\ \hline 111 \end{array} \qquad \begin{array}{r} \phantom{+)} 2 \\ +) 5 \\ \hline 7 \end{array}$$

| Unsigned | Binary |
|----------|--------|
| 0        | 000    |
| 1        | 001    |
| 2        | 010    |
| 3        | 011    |
| 4        | 100    |
| 5        | 101    |
| 6        | 110    |
| 7        | 111    |

# Unsigned Addition

- Similar to Decimal Addition
- Suppose we have a new data type that is 3-bit wide (c.f., **short** has 16 bits)
- Might **overflow**: result can't be represented within the size of the data type

**Normal Case**

$$\begin{array}{r} \phantom{+)} 010 \\ +) 101 \\ \hline 111 \end{array} \qquad \begin{array}{r} \phantom{+)} 2 \\ +) 5 \\ \hline 7 \end{array}$$

**Overflow Case**

$$\begin{array}{r} \phantom{+)} 110 \\ +) 101 \\ \hline 1011 \end{array} \qquad \begin{array}{r} \phantom{+)} 6 \\ +) 5 \\ \hline 11 \end{array}$$

| Unsigned | Binary |
|----------|--------|
| 0        | 000    |
| 1        | 001    |
| 2        | 010    |
| 3        | 011    |
| 4        | 100    |
| 5        | 101    |
| 6        | 110    |
| 7        | 111    |

# Unsigned Addition

- Similar to Decimal Addition
- Suppose we have a new data type that is 3-bit wide (c.f., **short** has 16 bits)
- Might **overflow**: result can't be represented within the size of the data type

| Unsigned | Binary |
|----------|--------|
| 0        | 000    |
| 1        | 001    |
| 2        | 010    |
| 3        | 011    |
| 4        | 100    |
| 5        | 101    |
| 6        | 110    |
| 7        | 111    |

**Normal Case**

$$\begin{array}{r} \phantom{+)} 010 \\ +) 101 \\ \hline 111 \end{array} \qquad \begin{array}{r} \phantom{+)} 2 \\ +) 5 \\ \hline 7 \end{array}$$

**Overflow Case**

$$\begin{array}{r} \phantom{+)} 110 \\ +) 101 \\ \hline 1011 \end{array} \qquad \begin{array}{r} \phantom{+)} 6 \\ +) 5 \\ \hline 11 \end{array}$$

← True Sum

# Unsigned Addition

- Similar to Decimal Addition
- Suppose we have a new data type that is 3-bit wide (c.f., **short** has 16 bits)
- Might **overflow**: result can't be represented within the size of the data type

| Unsigned | Binary |
|----------|--------|
| 0        | 000    |
| 1        | 001    |
| 2        | 010    |
| 3        | 011    |
| 4        | 100    |
| 5        | 101    |
| 6        | 110    |
| 7        | 111    |

**Normal Case**

$$\begin{array}{r} \phantom{+)} 010 \\ +) 101 \\ \hline 111 \end{array} \qquad \begin{array}{r} \phantom{+)} 2 \\ +) 5 \\ \hline 7 \end{array}$$

**Overflow Case**

$$\begin{array}{r} \phantom{+)} 110 \\ +) 101 \\ \hline 1011 \\ 011 \end{array} \qquad \begin{array}{r} \phantom{+)} 6 \\ +) 5 \\ \hline 11 \\ 3 \end{array}$$



True Sum



Sum with same bits



# Unsigned Addition in C

Operands:  $w$  bits



+  $v$



True Sum:  $w+1$  bits



Discard Carry:  $w$  bits



# Two's Complement Addition

| <b>Signed</b> | <b>Binary</b> |
|---------------|---------------|
| 0             | 000           |
| 1             | 001           |
| 2             | 010           |
| 3             | 011           |
| -4            | 100           |
| -3            | 101           |
| -2            | 110           |
| -1            | 111           |

# Two's Complement Addition

- Has identical bit-level behavior as unsigned addition (a big advantage over sign-magnitude)

| Signed | Binary |
|--------|--------|
| 0      | 000    |
| 1      | 001    |
| 2      | 010    |
| 3      | 011    |
| -4     | 100    |
| -3     | 101    |
| -2     | 110    |
| -1     | 111    |

# Two's Complement Addition

- Has identical bit-level behavior as unsigned addition (a big advantage over sign-magnitude)

Normal  
Case

$$\begin{array}{r} 010 \\ +) 101 \\ \hline 111 \end{array}$$

$$\begin{array}{r} 2 \\ +) -3 \\ \hline -1 \end{array}$$

| Signed | Binary |
|--------|--------|
| 0      | 000    |
| 1      | 001    |
| 2      | 010    |
| 3      | 011    |
| -4     | 100    |
| -3     | 101    |
| -2     | 110    |
| -1     | 111    |

# Two's Complement Addition

- Has identical bit-level behavior as unsigned addition (a big advantage over sign-magnitude)
- Overflow can also occur

**Normal Case**

$$\begin{array}{r} \phantom{+)} 010 \\ +) 101 \\ \hline 111 \end{array}$$
$$\begin{array}{r} \phantom{+)} 2 \\ +) -3 \\ \hline -1 \end{array}$$

**Overflow Case**

$$\begin{array}{r} \phantom{+)} 110 \\ +) 101 \\ \hline 1011 \end{array}$$
$$\begin{array}{r} \phantom{+)} -2 \\ +) -3 \\ \hline -5 \end{array}$$

| Signed | Binary |
|--------|--------|
| 0      | 000    |
| 1      | 001    |
| 2      | 010    |
| 3      | 011    |
| -4     | 100    |
| -3     | 101    |
| -2     | 110    |
| -1     | 111    |

# Two's Complement Addition

- Has identical bit-level behavior as unsigned addition (a big advantage over sign-magnitude)
- Overflow can also occur

**Normal Case**

$$\begin{array}{r} \phantom{+)} 010 \\ +) 101 \\ \hline 111 \end{array}$$
$$\begin{array}{r} \phantom{+)} 2 \\ +) -3 \\ \hline -1 \end{array}$$

**Overflow Case**

$$\begin{array}{r} \phantom{+)} 110 \\ +) 101 \\ \hline 1011 \\ 011 \end{array}$$
$$\begin{array}{r} \phantom{+)} -2 \\ +) -3 \\ \hline -5 \\ 3 \end{array}$$

| Signed | Binary |
|--------|--------|
| 0      | 000    |
| 1      | 001    |
| 2      | 010    |
| 3      | 011    |
| -4     | 100    |
| -3     | 101    |
| -2     | 110    |
| -1     | 111    |

# Two's Complement Addition

- Has identical bit-level behavior as unsigned addition (a big advantage over sign-magnitude)
- Overflow can also occur

|                    |        |       |
|--------------------|--------|-------|
| <b>Normal Case</b> | 010    | 2     |
|                    | +) 101 | +) -3 |
|                    | 111    | -1    |

|                      |        |       |
|----------------------|--------|-------|
| <b>Overflow Case</b> | 110    | -2    |
|                      | +) 101 | +) -3 |
|                      | 1011   | -5    |
|                      | 011    | 3     |

Min →

| Signed | Binary |
|--------|--------|
| 0      | 000    |
| 1      | 001    |
| 2      | 010    |
| 3      | 011    |
| -4     | 100    |
| -3     | 101    |
| -2     | 110    |
| -1     | 111    |

Negative Overflow

# Two's Complement Addition

- Has identical bit-level behavior as unsigned addition (a big advantage over sign-magnitude)
- Overflow can also occur

| Signed | Binary |
|--------|--------|
| 0      | 000    |
| 1      | 001    |
| 2      | 010    |
| 3      | 011    |
| -4     | 100    |
| -3     | 101    |
| -2     | 110    |
| -1     | 111    |

**Normal Case**

$$\begin{array}{r}
 010 \\
 +) 101 \\
 \hline
 111
 \end{array}
 \qquad
 \begin{array}{r}
 2 \\
 +) -3 \\
 \hline
 -1
 \end{array}$$

Min →

**Overflow Case**

$$\begin{array}{r}
 110 \\
 +) 101 \\
 \hline
 1011 \\
 011
 \end{array}
 \qquad
 \begin{array}{r}
 -2 \\
 +) -3 \\
 \hline
 -5 \\
 3
 \end{array}$$

$$\begin{array}{r}
 011 \\
 +) 001 \\
 \hline
 0100
 \end{array}
 \qquad
 \begin{array}{r}
 3 \\
 +) 1 \\
 \hline
 4
 \end{array}$$

Negative Overflow



# Two's Complement Addition

- Has identical bit-level behavior as unsigned addition (a big advantage over sign-magnitude)
- Overflow can also occur

| Signed | Binary |
|--------|--------|
| 0      | 000    |
| 1      | 001    |
| 2      | 010    |
| 3      | 011    |
| -4     | 100    |
| -3     | 101    |
| -2     | 110    |
| -1     | 111    |

**Normal Case**

$$\begin{array}{r} 010 \\ +) 101 \\ \hline 111 \end{array}$$

$$\begin{array}{r} 2 \\ +) -3 \\ \hline -1 \end{array}$$

Min →

**Overflow Case**

$$\begin{array}{r} 110 \\ +) 101 \\ \hline 1011 \\ 011 \end{array}$$

$$\begin{array}{r} -2 \\ +) -3 \\ \hline -5 \\ 3 \end{array}$$

$$\begin{array}{r} 011 \\ +) 001 \\ \hline 0100 \\ 100 \end{array}$$

$$\begin{array}{r} 3 \\ +) 1 \\ \hline 4 \\ -4 \end{array}$$

Negative Overflow

# Two's Complement Addition

- Has identical bit-level behavior as unsigned addition (a big advantage over sign-magnitude)
- Overflow can also occur

| Signed | Binary |
|--------|--------|
| 0      | 000    |
| 1      | 001    |
| 2      | 010    |
| 3      | 011    |
| -4     | 100    |
| -3     | 101    |
| -2     | 110    |
| -1     | 111    |

Max   
 Min 

**Normal Case**

$$\begin{array}{r} 010 \\ +) 101 \\ \hline 111 \end{array}$$

$$\begin{array}{r} 2 \\ +) -3 \\ \hline -1 \end{array}$$

**Overflow Case**

$$\begin{array}{r} 110 \\ +) 101 \\ \hline 1011 \\ 011 \end{array}$$

$$\begin{array}{r} -2 \\ +) -3 \\ \hline -5 \\ 3 \end{array}$$

$$\begin{array}{r} 011 \\ +) 001 \\ \hline 0100 \\ 100 \end{array}$$

$$\begin{array}{r} 3 \\ +) 1 \\ \hline 4 \\ -4 \end{array}$$

Negative Overflow

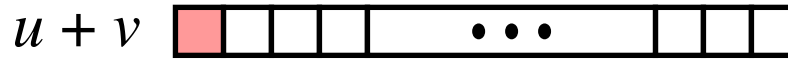
Positive Overflow

# Two's Complement Addition in C

Operands:  $w$  bits



True Sum:  $w+1$  bits



Discard Carry:  $w$  bits



# Is This Signed Addition an Overflow?

$$\begin{array}{r} 111 \\ +) 110 \\ \hline 1101 \end{array}$$

| Signed | Binary |
|--------|--------|
| 0      | 000    |
| 1      | 001    |
| 2      | 010    |
| 3      | 011    |
| -4     | 100    |
| -3     | 101    |
| -2     | 110    |
| -1     | 111    |

# Is This Signed Addition an Overflow?

$$\begin{array}{r} 111 \\ +) 110 \\ \hline \boxed{1}101 \end{array}$$

| Signed | Binary |
|--------|--------|
| 0      | 000    |
| 1      | 001    |
| 2      | 010    |
| 3      | 011    |
| -4     | 100    |
| -3     | 101    |
| -2     | 110    |
| -1     | 111    |

# Is This Signed Addition an Overflow?

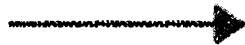
$$\begin{array}{r} 111 \\ +) 110 \\ \hline \boxed{1}101 \end{array}$$

→  
Truncate

| Signed | Binary |
|--------|--------|
| 0      | 000    |
| 1      | 001    |
| 2      | 010    |
| 3      | 011    |
| -4     | 100    |
| -3     | 101    |
| -2     | 110    |
| -1     | 111    |

# Is This Signed Addition an Overflow?

$$\begin{array}{r} 111 \\ +) 110 \\ \hline \boxed{1}101 \end{array}$$



Truncate

$$\begin{array}{r} -1 \\ +) -2 \\ \hline -3 \end{array}$$

| Signed | Binary |
|--------|--------|
| 0      | 000    |
| 1      | 001    |
| 2      | 010    |
| 3      | 011    |
| -4     | 100    |
| -3     | 101    |
| -2     | 110    |
| -1     | 111    |

# Is This Signed Addition an Overflow?

$$\begin{array}{r} 111 \\ +) 110 \\ \hline \boxed{1}101 \end{array}$$

→  
Truncate

$$\begin{array}{r} -1 \\ +) -2 \\ \hline -3 \end{array}$$

| Signed | Binary |
|--------|--------|
| 0      | 000    |
| 1      | 001    |
| 2      | 010    |
| 3      | 011    |
| -4     | 100    |
| -3     | 101    |
| -2     | 110    |
| -1     | 111    |

- This is not an overflow by definition



# Is This Signed Addition an Overflow?

$$\begin{array}{r} 111 \\ +) 110 \\ \hline \boxed{1}101 \end{array}$$

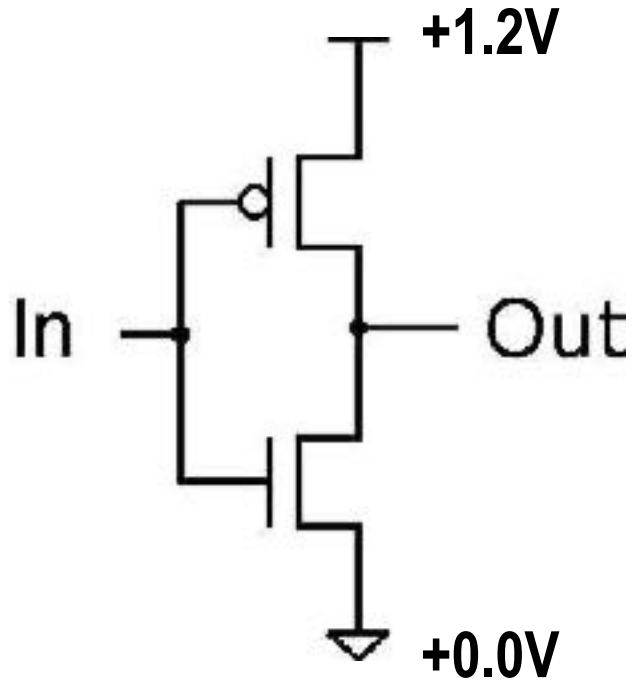
→  
Truncate

$$\begin{array}{r} -1 \\ +) -2 \\ \hline -3 \end{array}$$

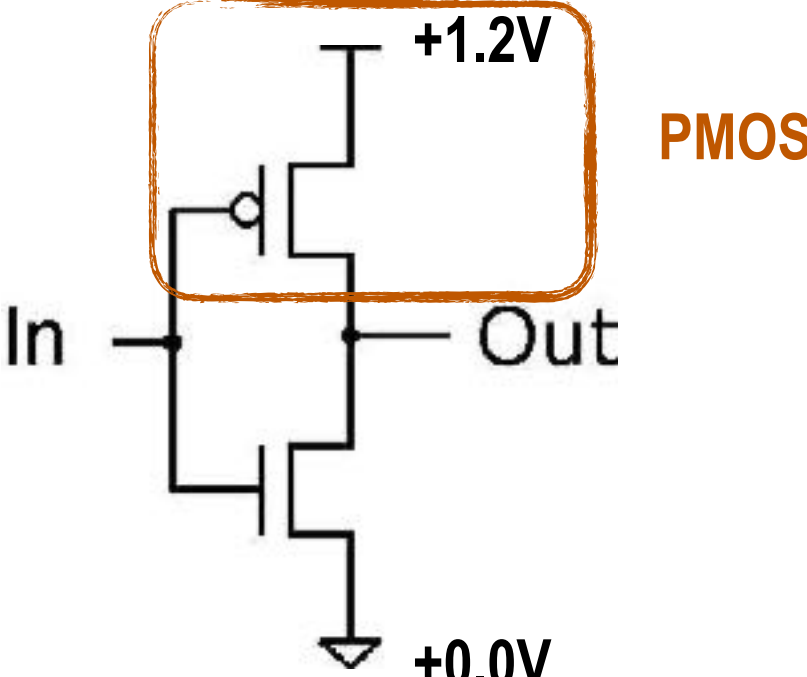
| Signed | Binary |
|--------|--------|
| 0      | 000    |
| 1      | 001    |
| 2      | 010    |
| 3      | 011    |
| -4     | 100    |
| -3     | 101    |
| -2     | 110    |
| -1     | 111    |

- This is not an overflow by definition
- Because the actual result can be represented using the bit width of the datatype (3 bits here)

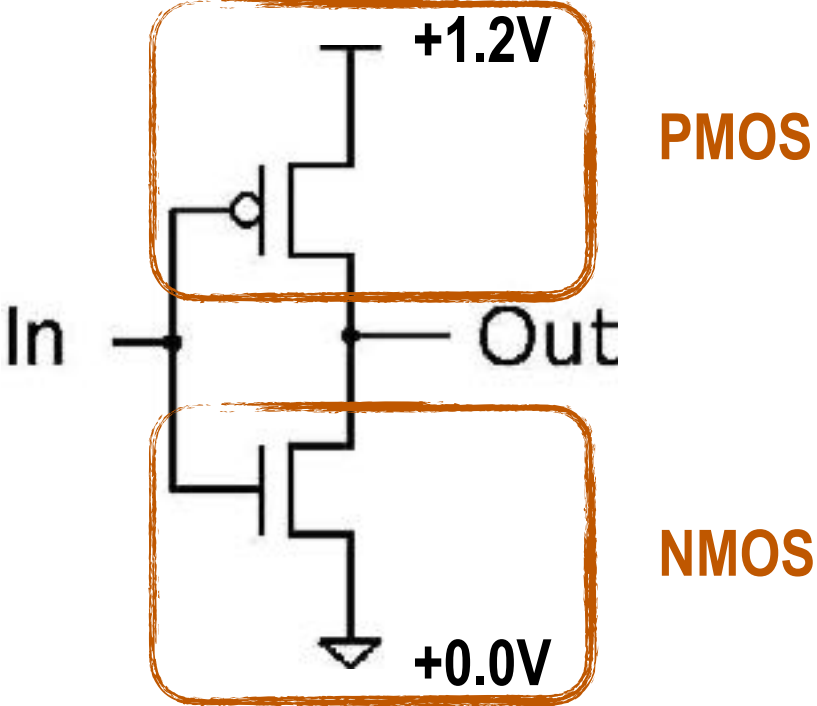
# Inverter (NOT Gate)



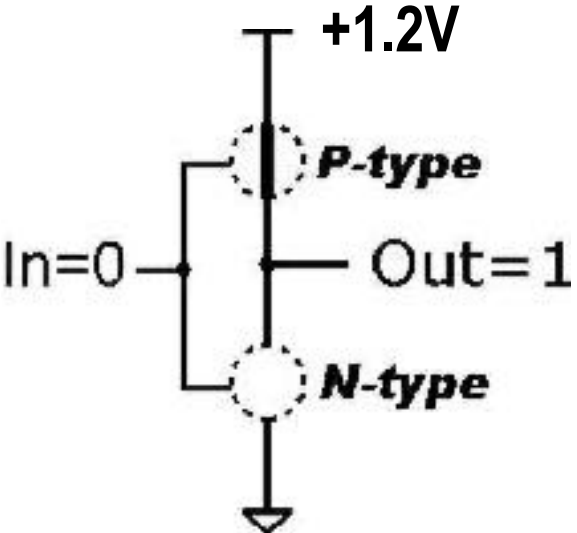
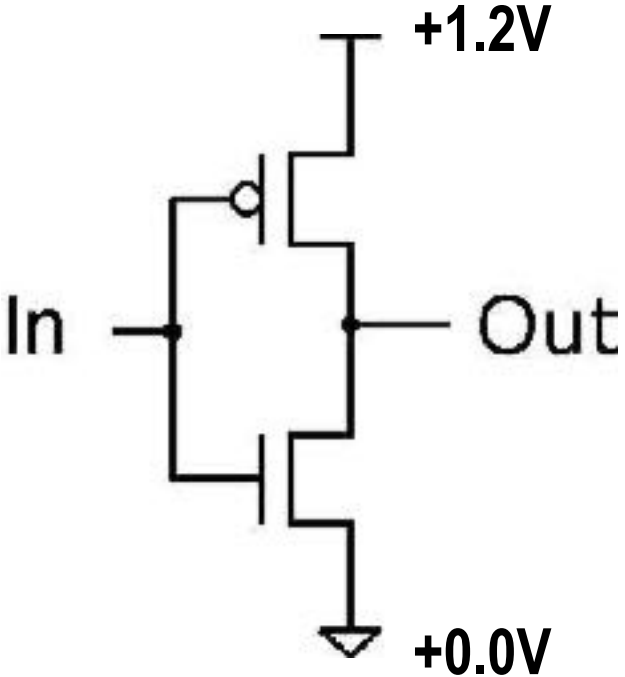
# Inverter (NOT Gate)



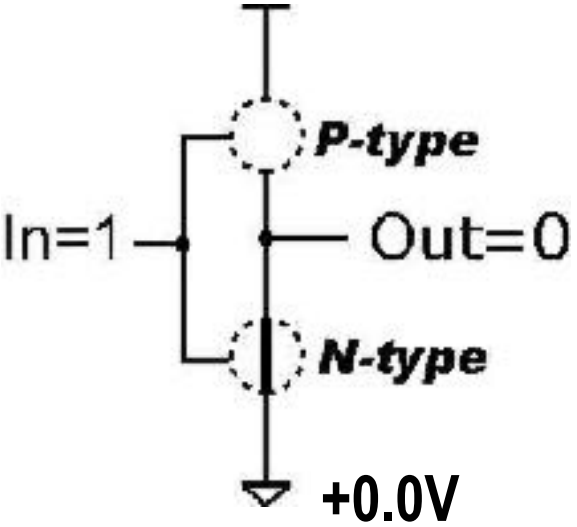
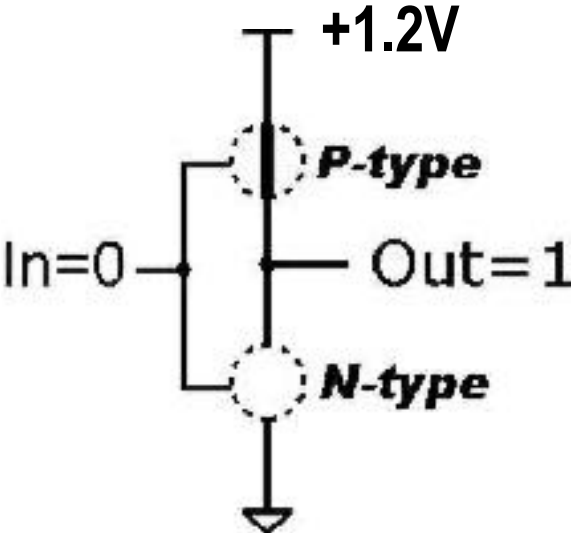
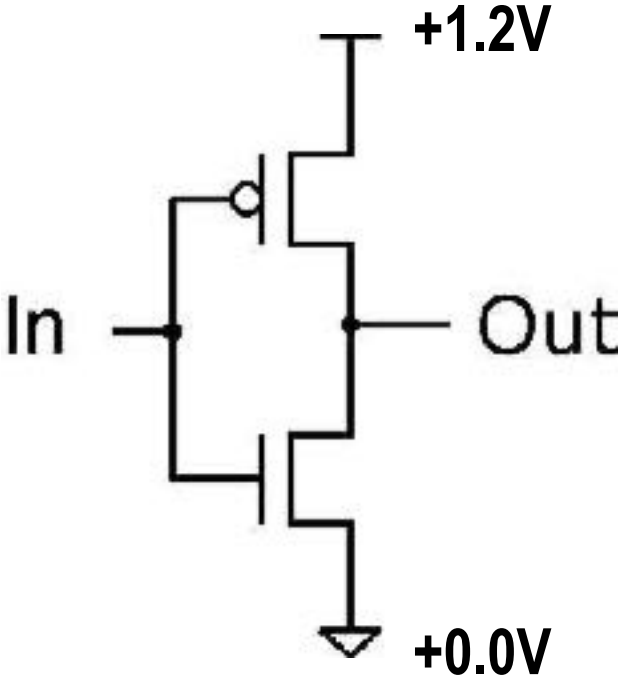
# Inverter (NOT Gate)



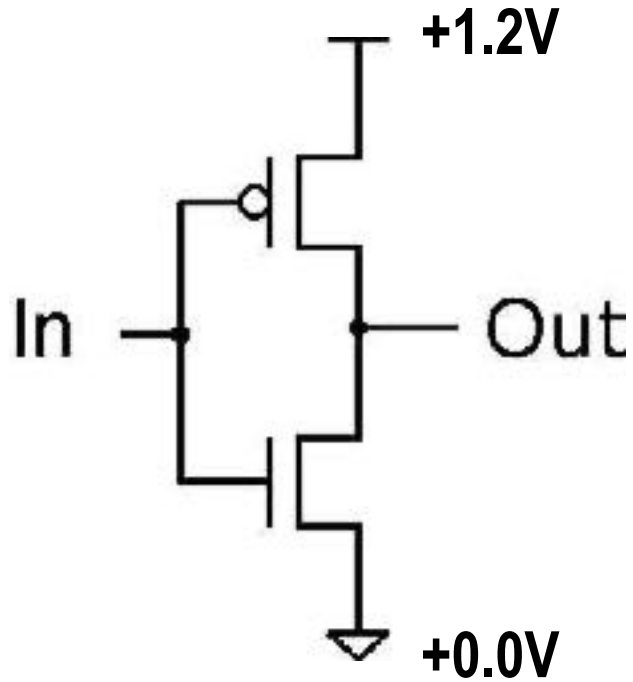
# Inverter (NOT Gate)



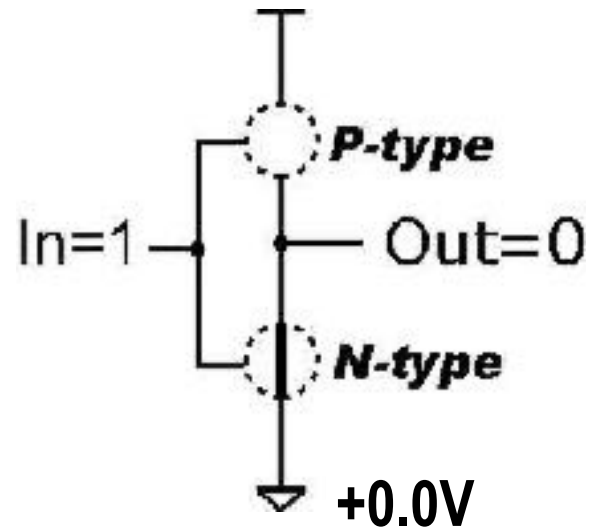
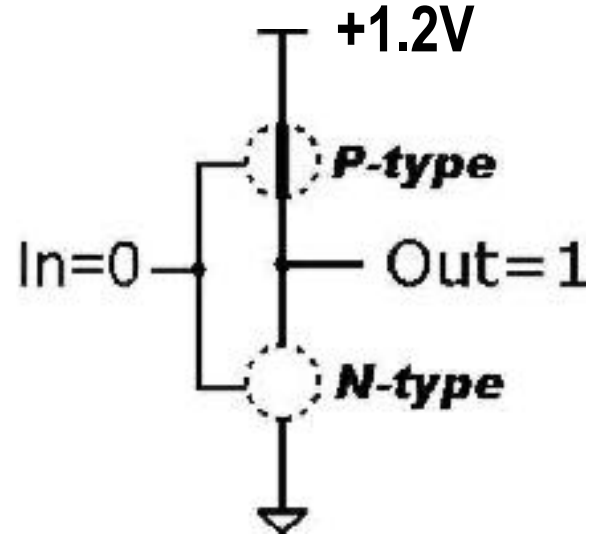
# Inverter (NOT Gate)



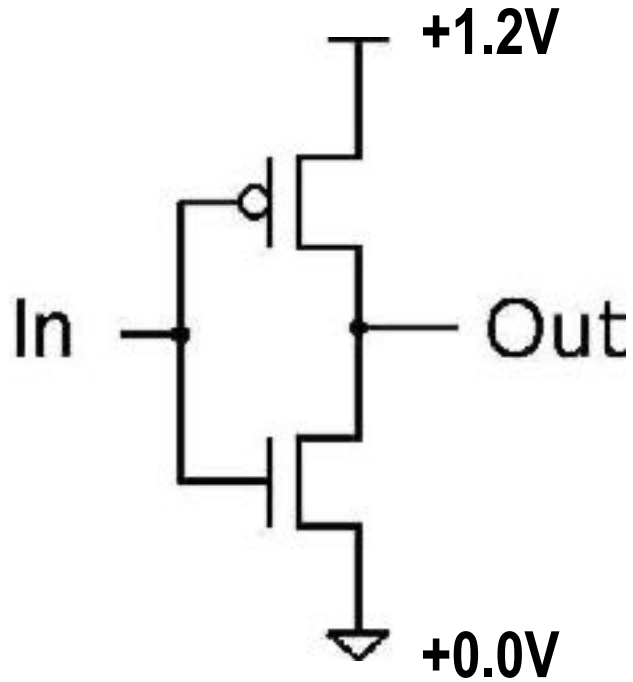
# Inverter (NOT Gate)



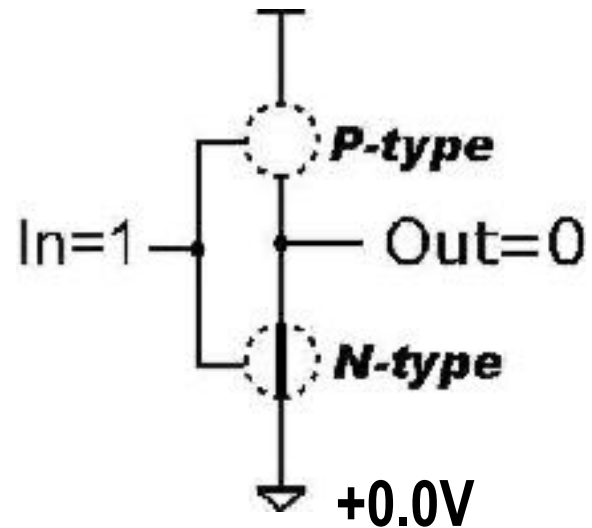
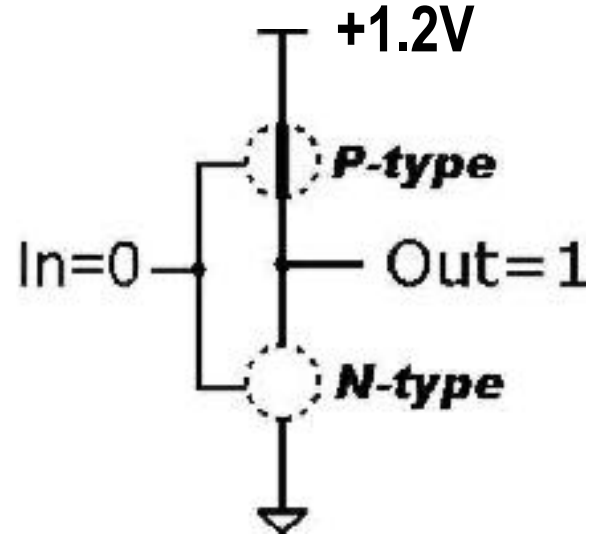
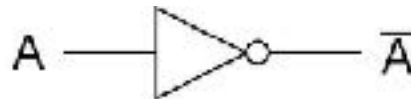
| In | Out |
|----|-----|
| 0  | 1   |
| 1  | 0   |



# Inverter (NOT Gate)

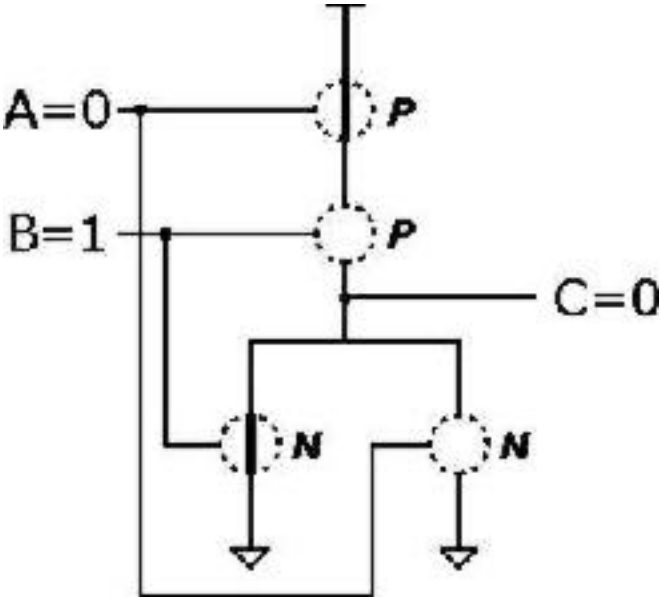
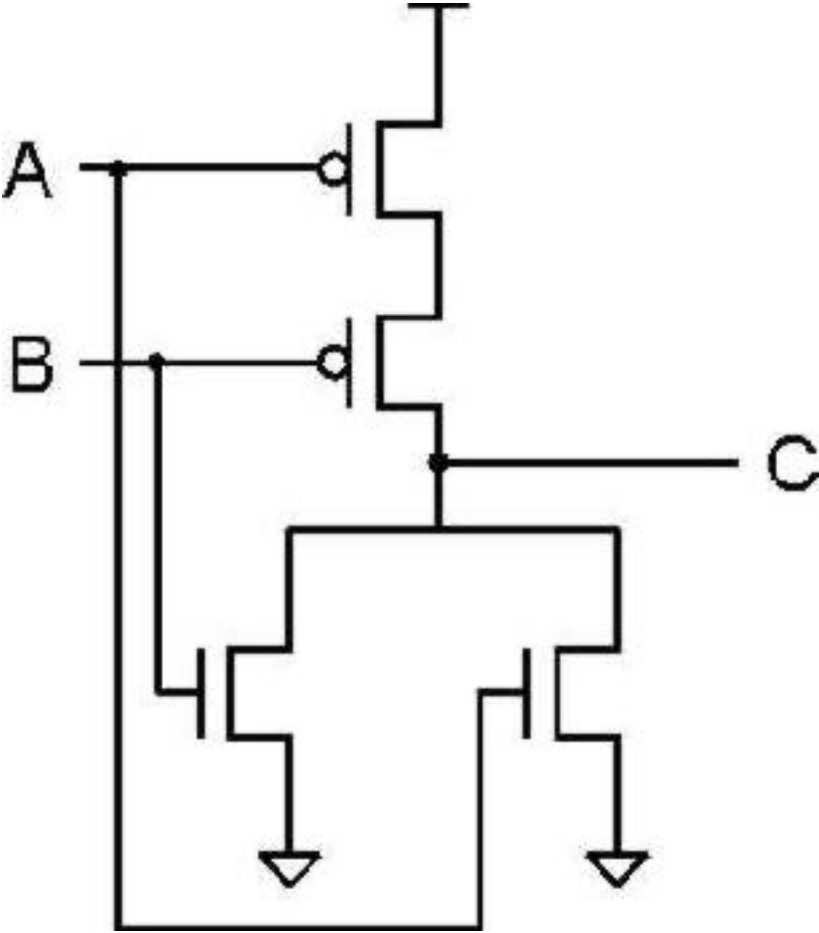


| In | Out |
|----|-----|
| 0  | 1   |
| 1  | 0   |



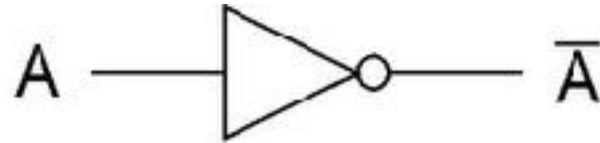


# NOR Gate (NOT + OR)

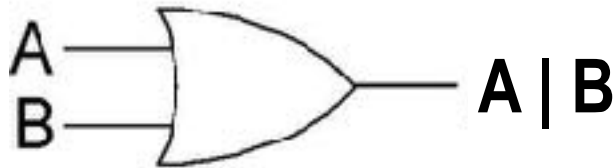


| A | B | C |
|---|---|---|
| 0 | 0 | 1 |
| 0 | 1 | 0 |
| 1 | 0 | 0 |
| 1 | 1 | 0 |

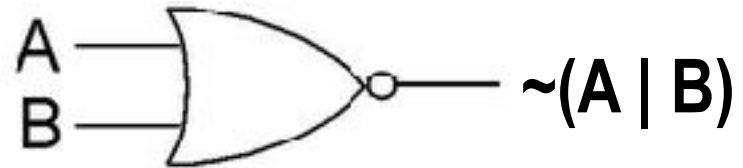
# Basic Logic Gates



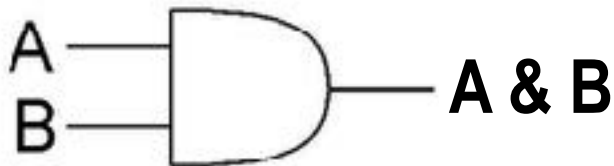
*NOT*



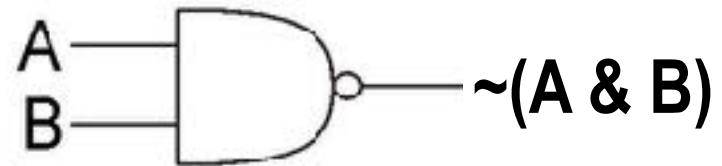
*OR*



*NOR*

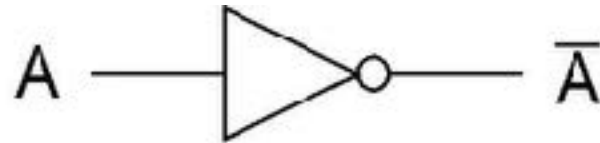


*AND*

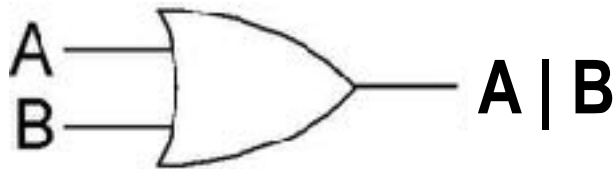


*NAND*

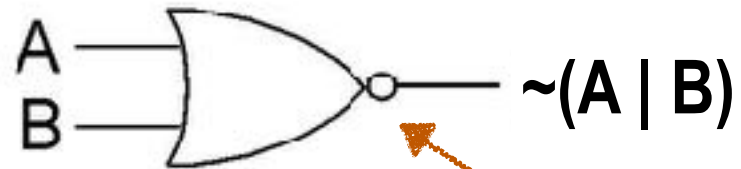
# Basic Logic Gates



*NOT*

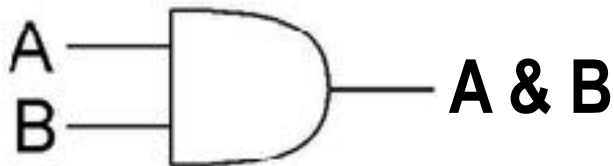


*OR*

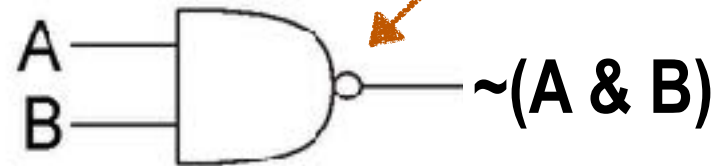


*NOR*

The little circle means NOT



*AND*



*NAND*

# Full (1-bit) Adder

Add two bits and carry-in,  
produce one-bit sum and carry-out.

| <b>A</b> | <b>B</b> | <b>C<sub>in</sub></b> | <b>S</b> | <b>C<sub>ou</sub><br/>t</b> |
|----------|----------|-----------------------|----------|-----------------------------|
| 0        | 0        | 0                     | 0        | 0                           |
| 0        | 0        | 1                     | 1        | 0                           |
| 0        | 1        | 0                     | 1        | 0                           |
| 0        | 1        | 1                     | 0        | 1                           |
| 1        | 0        | 0                     | 1        | 0                           |
| 1        | 0        | 1                     | 0        | 1                           |
| 1        | 1        | 0                     | 0        | 1                           |
| 1        | 1        | 1                     | 1        | 1                           |

# Full (1-bit) Adder

Add two bits and carry-in,  
produce one-bit sum and carry-out.

Truth Table

| <b>A</b> | <b>B</b> | <b>C<sub>in</sub></b> | <b>S</b> | <b>C<sub>ou</sub><br/>t</b> |
|----------|----------|-----------------------|----------|-----------------------------|
| 0        | 0        | 0                     | 0        | 0                           |
| 0        | 0        | 1                     | 1        | 0                           |
| 0        | 1        | 0                     | 1        | 0                           |
| 0        | 1        | 1                     | 0        | 1                           |
| 1        | 0        | 0                     | 1        | 0                           |
| 1        | 0        | 1                     | 0        | 1                           |
| 1        | 1        | 0                     | 0        | 1                           |
| 1        | 1        | 1                     | 1        | 1                           |

# Full (1-bit) Adder

Add two bits and carry-in,  
produce one-bit sum and carry-out.

$$S = (\sim A \ \& \ \sim B \ \& \ C_{in})$$

Truth Table

| A | B | C <sub>in</sub> | S | C <sub>ou</sub><br>t |
|---|---|-----------------|---|----------------------|
| 0 | 0 | 0               | 0 | 0                    |
| 0 | 0 | 1               | 1 | 0                    |
| 0 | 1 | 0               | 1 | 0                    |
| 0 | 1 | 1               | 0 | 1                    |
| 1 | 0 | 0               | 1 | 0                    |
| 1 | 0 | 1               | 0 | 1                    |
| 1 | 1 | 0               | 0 | 1                    |
| 1 | 1 | 1               | 1 | 1                    |

# Full (1-bit) Adder

Add two bits and carry-in,  
produce one-bit sum and carry-out.

$$S = (\sim A \& \sim B \& C_{in}) \\ | (\sim A \& B \& \sim C_{in})$$

Truth Table

| A | B | C <sub>in</sub> | S | C <sub>ou</sub><br>t |
|---|---|-----------------|---|----------------------|
| 0 | 0 | 0               | 0 | 0                    |
| 0 | 0 | 1               | 1 | 0                    |
| 0 | 1 | 0               | 1 | 0                    |
| 0 | 1 | 1               | 0 | 1                    |
| 1 | 0 | 0               | 1 | 0                    |
| 1 | 0 | 1               | 0 | 1                    |
| 1 | 1 | 0               | 0 | 1                    |
| 1 | 1 | 1               | 1 | 1                    |

# Full (1-bit) Adder

Add two bits and carry-in,  
produce one-bit sum and carry-out.

$$\begin{aligned} S &= (\sim A \ \& \ \sim B \ \& \ C_{in}) \\ &| (\sim A \ \& \ B \ \& \ \sim C_{in}) \\ &| (A \ \& \ \sim B \ \& \ \sim C_{in}) \end{aligned}$$

Truth Table

| A | B | C <sub>in</sub> | S | C <sub>ou</sub><br>t |
|---|---|-----------------|---|----------------------|
| 0 | 0 | 0               | 0 | 0                    |
| 0 | 0 | 1               | 1 | 0                    |
| 0 | 1 | 0               | 1 | 0                    |
| 0 | 1 | 1               | 0 | 1                    |
| 1 | 0 | 0               | 1 | 0                    |
| 1 | 0 | 1               | 0 | 1                    |
| 1 | 1 | 0               | 0 | 1                    |
| 1 | 1 | 1               | 1 | 1                    |



# Full (1-bit) Adder

Add two bits and carry-in,  
produce one-bit sum and carry-out.

$$\begin{aligned} S = & (\sim A \ \& \ \sim B \ \& \ C_{in}) \\ & | \ (\sim A \ \& \ B \ \& \ \sim C_{in}) \\ & | \ (A \ \& \ \sim B \ \& \ \sim C_{in}) \\ & | \ (A \ \& \ B \ \& \ C_{in}) \end{aligned}$$

Truth Table

| A | B | C <sub>in</sub> | S | C <sub>ou</sub><br>t |
|---|---|-----------------|---|----------------------|
| 0 | 0 | 0               | 0 | 0                    |
| 0 | 0 | 1               | 1 | 0                    |
| 0 | 1 | 0               | 1 | 0                    |
| 0 | 1 | 1               | 0 | 1                    |
| 1 | 0 | 0               | 1 | 0                    |
| 1 | 0 | 1               | 0 | 1                    |
| 1 | 1 | 0               | 0 | 1                    |
| 1 | 1 | 1               | 1 | 1                    |

# Full (1-bit) Adder

## Truth Table

Add two bits and carry-in,  
produce one-bit sum and carry-out.

$$\begin{aligned} S = & (\sim A \ \& \ \sim B \ \& \ C_{in}) \\ & | (\sim A \ \& \ B \ \& \ \sim C_{in}) \\ & | (A \ \& \ \sim B \ \& \ \sim C_{in}) \\ & | (A \ \& \ B \ \& \ C_{in}) \end{aligned}$$

$$\begin{aligned} C_{ou} = & (\sim A \ \& \ B \ \& \ C_{in}) \\ & | (A \ \& \ \sim B \ \& \ C_{in}) \\ & | (A \ \& \ B \ \& \ \sim C_{in}) \\ & | (A \ \& \ B \ \& \ C_{in}) \end{aligned}$$

| A | B | C <sub>in</sub> | S | C <sub>ou</sub> |
|---|---|-----------------|---|-----------------|
| 0 | 0 | 0               | 0 | 0               |
| 0 | 0 | 1               | 1 | 0               |
| 0 | 1 | 0               | 1 | 0               |
| 0 | 1 | 1               | 0 | 1               |
| 1 | 0 | 0               | 1 | 0               |
| 1 | 0 | 1               | 0 | 1               |
| 1 | 1 | 0               | 0 | 1               |
| 1 | 1 | 1               | 1 | 1               |

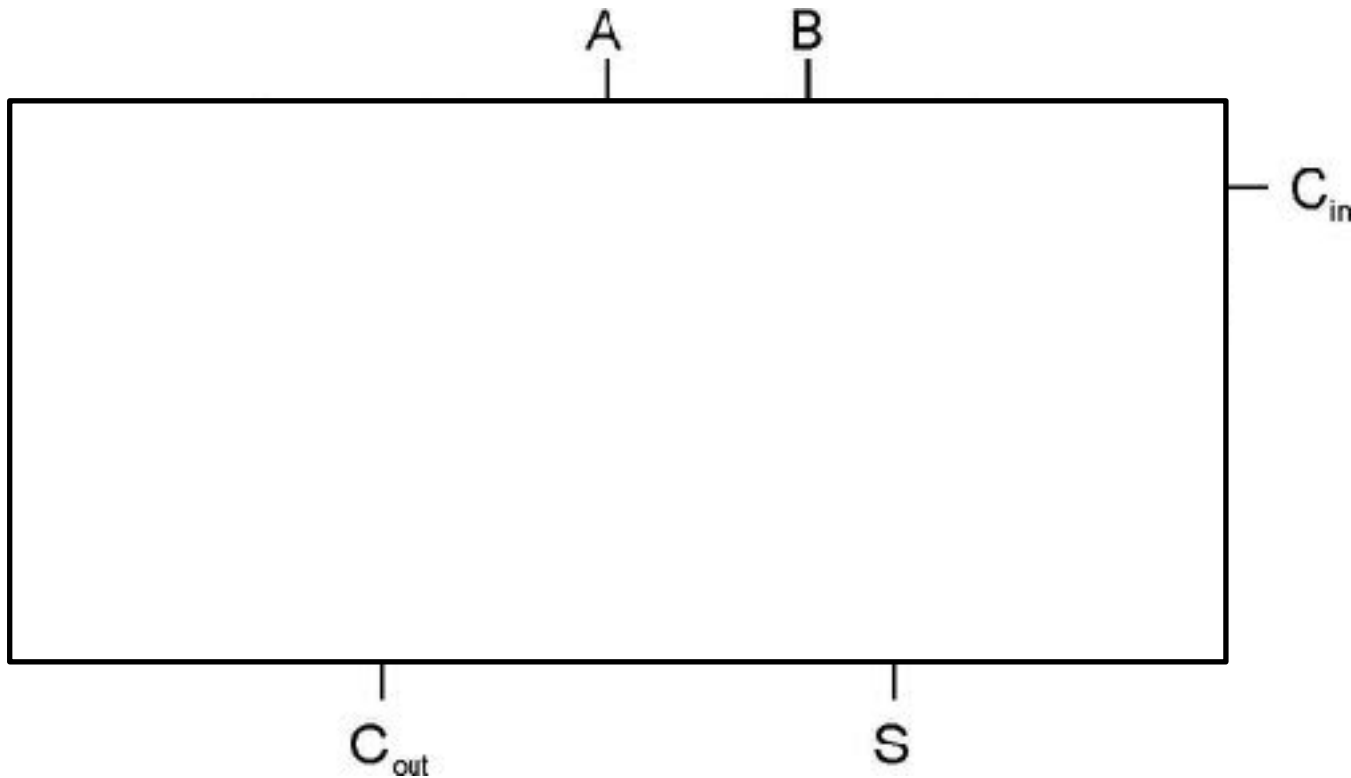
# Full (1-bit) Adder

Add two bits and carry-in,  
produce one-bit sum and carry-out.

$$\begin{aligned} C_{ou} = & (\sim A \& B \& C_{in}) \\ & | (A \& \sim B \& C_{in}) \\ & | (A \& B \& \sim C_{in}) \\ & | (A \& B \& C_{in}) \end{aligned}$$

# Full (1-bit) Adder

Add two bits and carry-in,  
produce one-bit sum and carry-out.

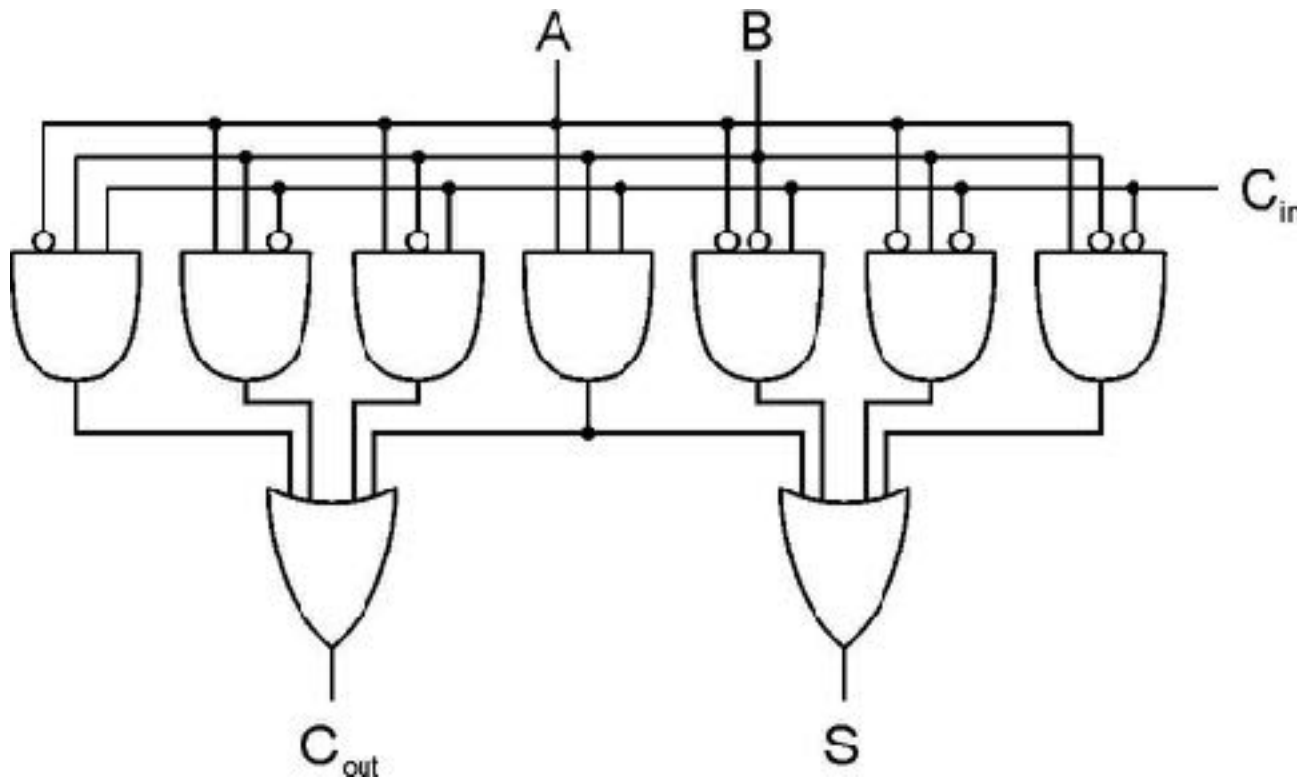


$$\begin{aligned} C_{ou} = & (\sim A \& B \& C_{in}) \\ & | (A \& \sim B \& C_{in}) \\ & | (A \& B \& \sim C_{in}) \\ & | (A \& B \& C_{in}) \end{aligned}$$

# Full (1-bit) Adder

Add two bits and carry-in,  
produce one-bit sum and carry-out.

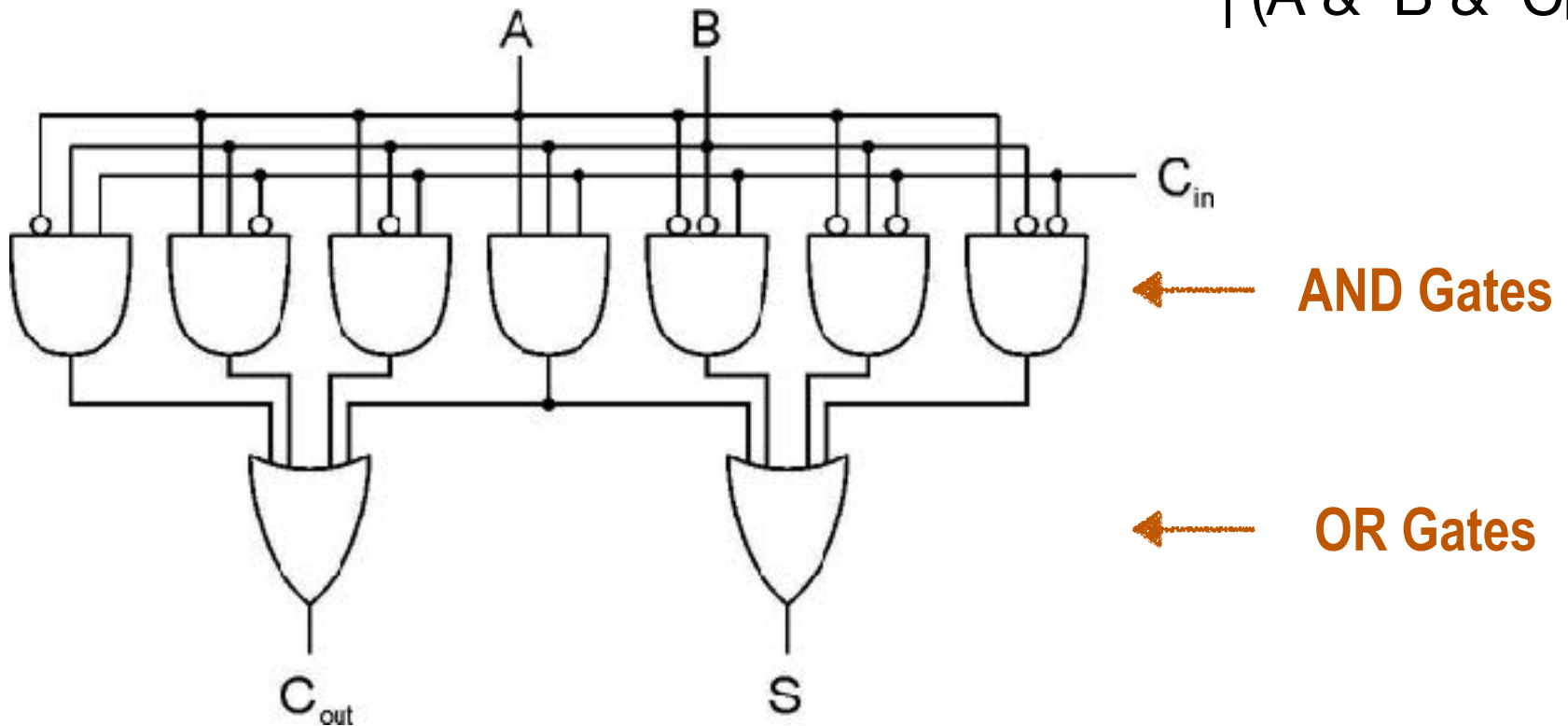
$$\begin{aligned} C_{ou} = & (\sim A \& B \& C_{in}) \\ & | (A \& \sim B \& C_{in}) \\ & | (A \& B \& \sim C_{in}) \\ & | (A \& B \& C_{in}) \end{aligned}$$



# Full (1-bit) Adder

Add two bits and carry-in,  
produce one-bit sum and carry-out.

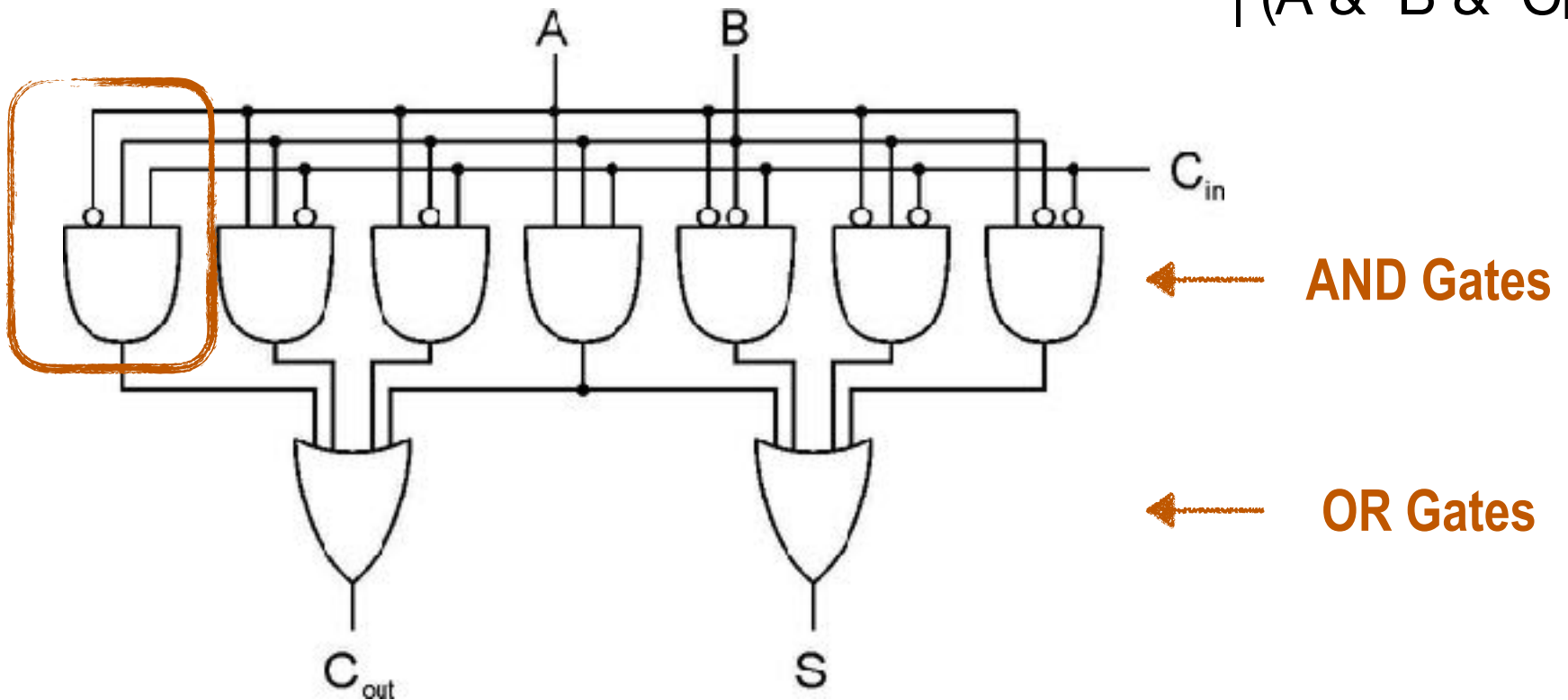
$$C_{ou} = (\sim A \& B \& C_{in}) \vee (A \& \sim B \& C_{in}) \vee (A \& B \& \sim C_{in}) \vee (A \& B \& C_{in})$$



# Full (1-bit) Adder

$$C_{out} = (\sim A \& B \& C_{in}) \vee (A \& \sim B \& C_{in}) \vee (A \& B \& \sim C_{in}) \vee (A \& B \& C_{in})$$

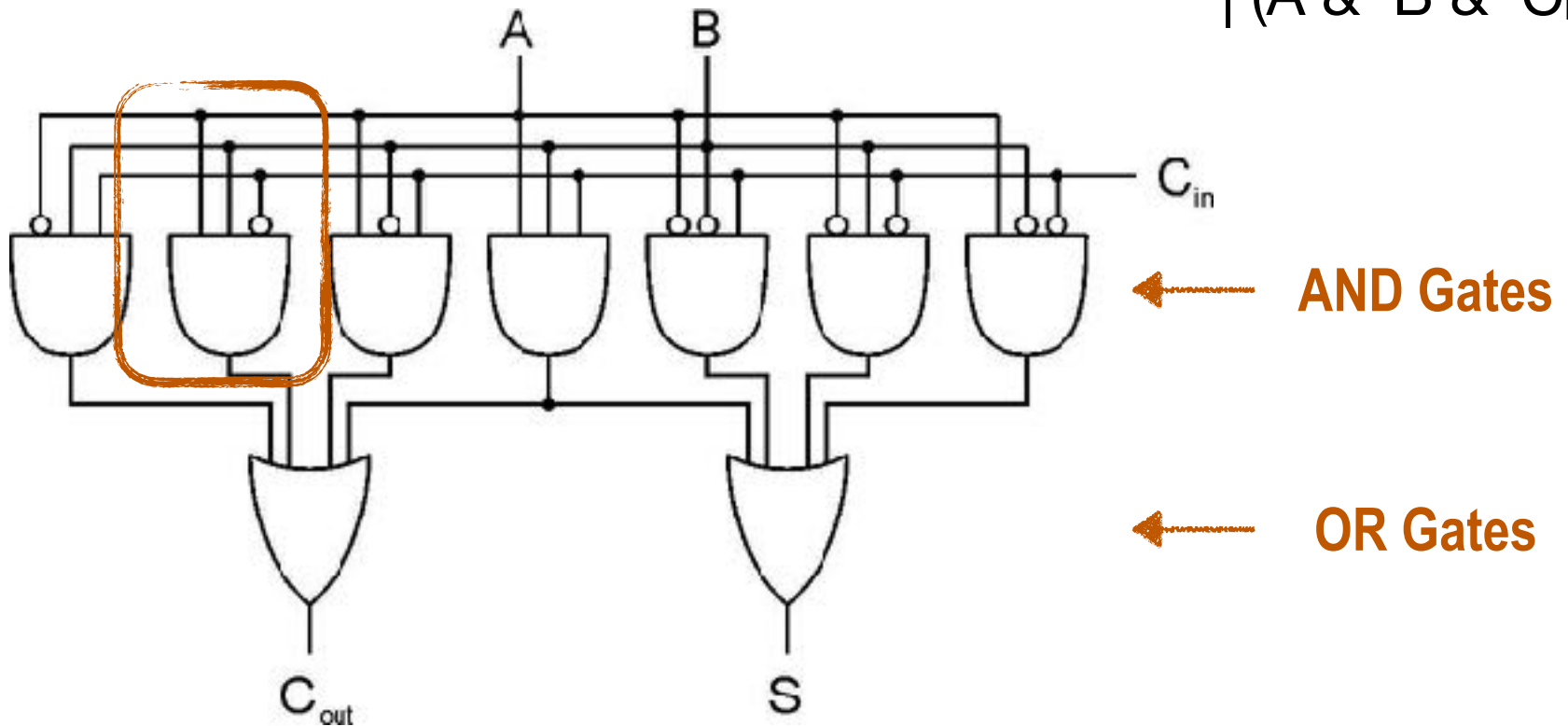
Add two bits and carry-in, produce one-bit sum and carry-out.



# Full (1-bit) Adder

Add two bits and carry-in,  
produce one-bit sum and carry-out.

$$C_{ou} = (\sim A \& B \& C_{in}) \vee (A \& \sim B \& C_{in}) \vee (A \& B \& \sim C_{in}) \vee (A \& B \& C_{in})$$

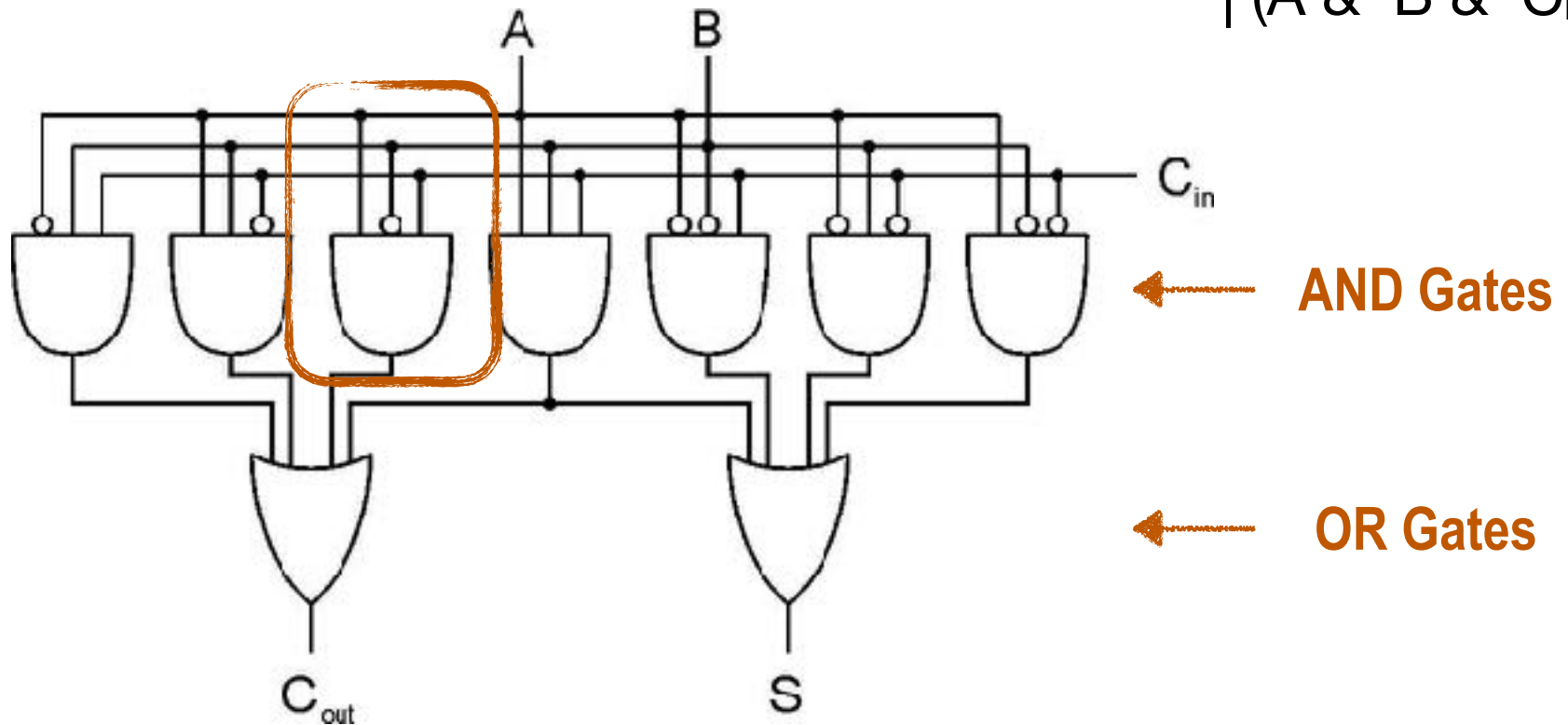




# Full (1-bit) Adder

$$C_{ou} = (\sim A \& B \& C_{in}) \vee (A \& \sim B \& C_{in}) \vee (A \& B \& \sim C_{in}) \vee (A \& B \& C_{in})$$

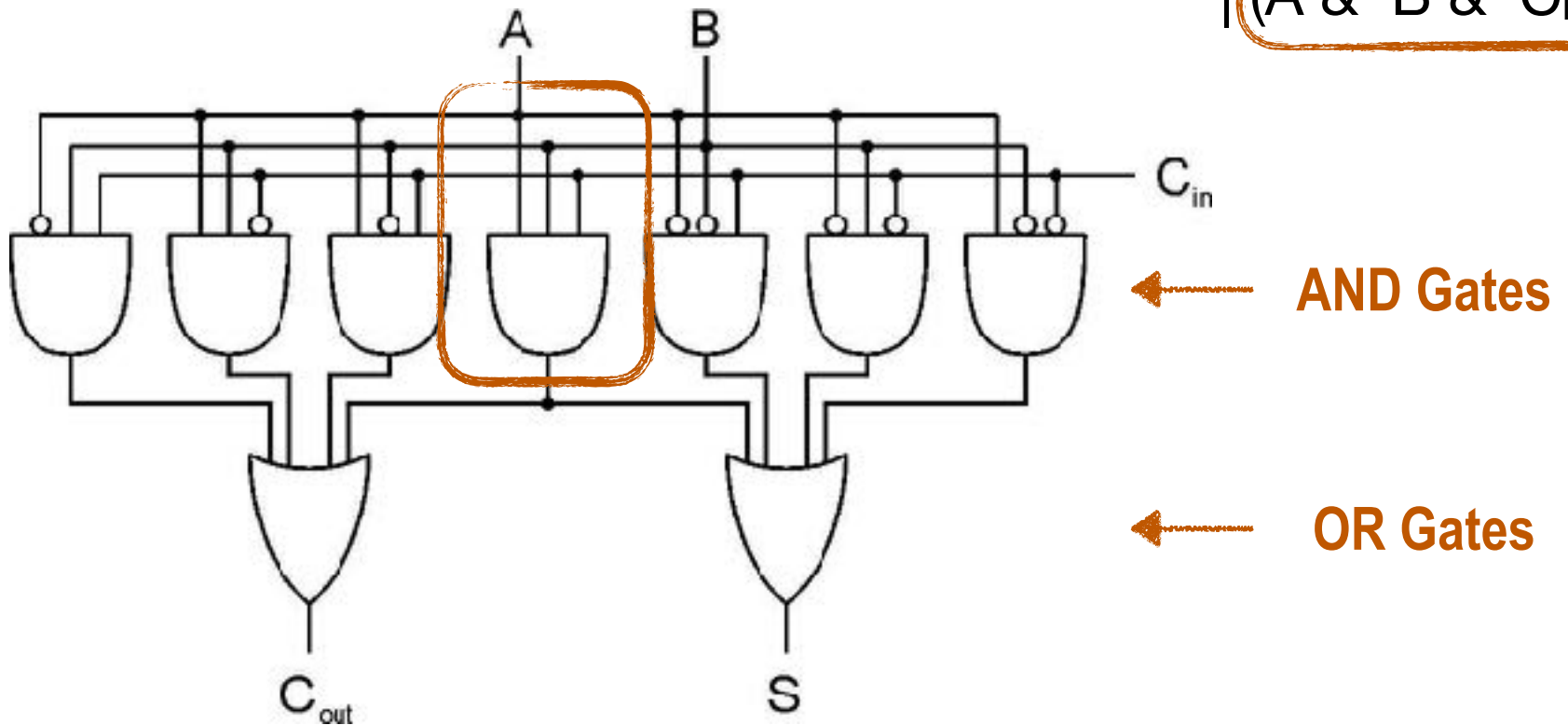
Add two bits and carry-in, produce one-bit sum and carry-out.



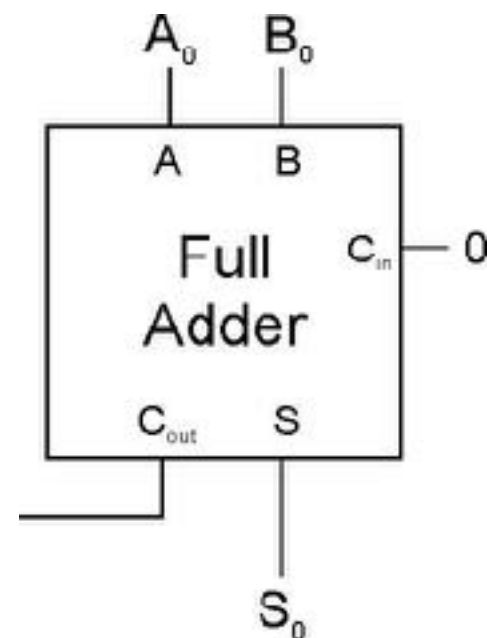
# Full (1-bit) Adder

Add two bits and carry-in,  
produce one-bit sum and carry-out.

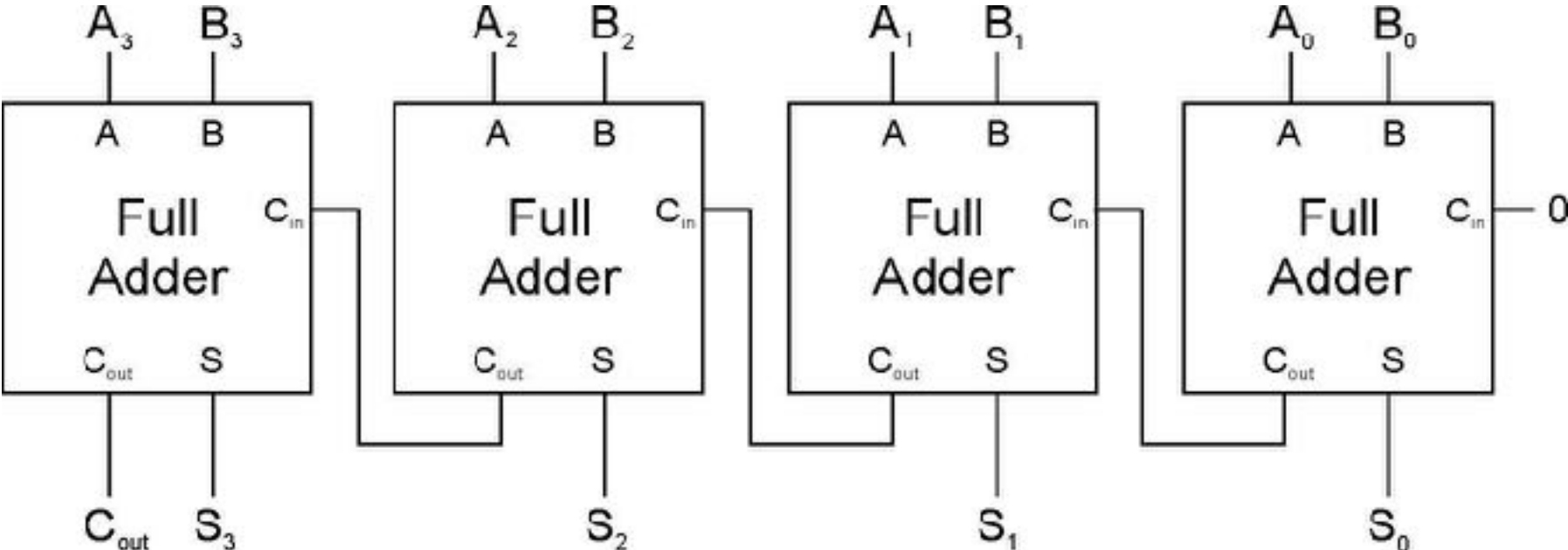
$$C_{ou} = (\sim A \& B \& C_{in}) \vee (A \& \sim B \& C_{in}) \vee (A \& B \& \sim C_{in}) \vee (A \& B \& C_{in})$$



# Four-bit Adder

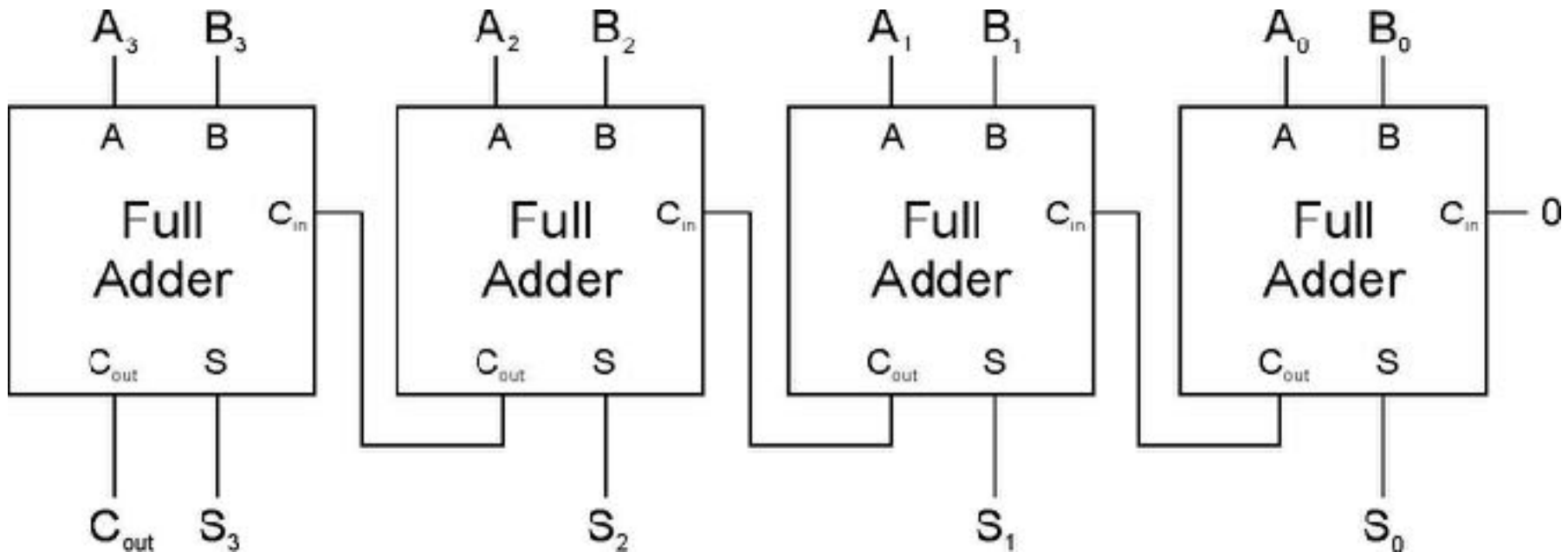


# Four-bit Adder



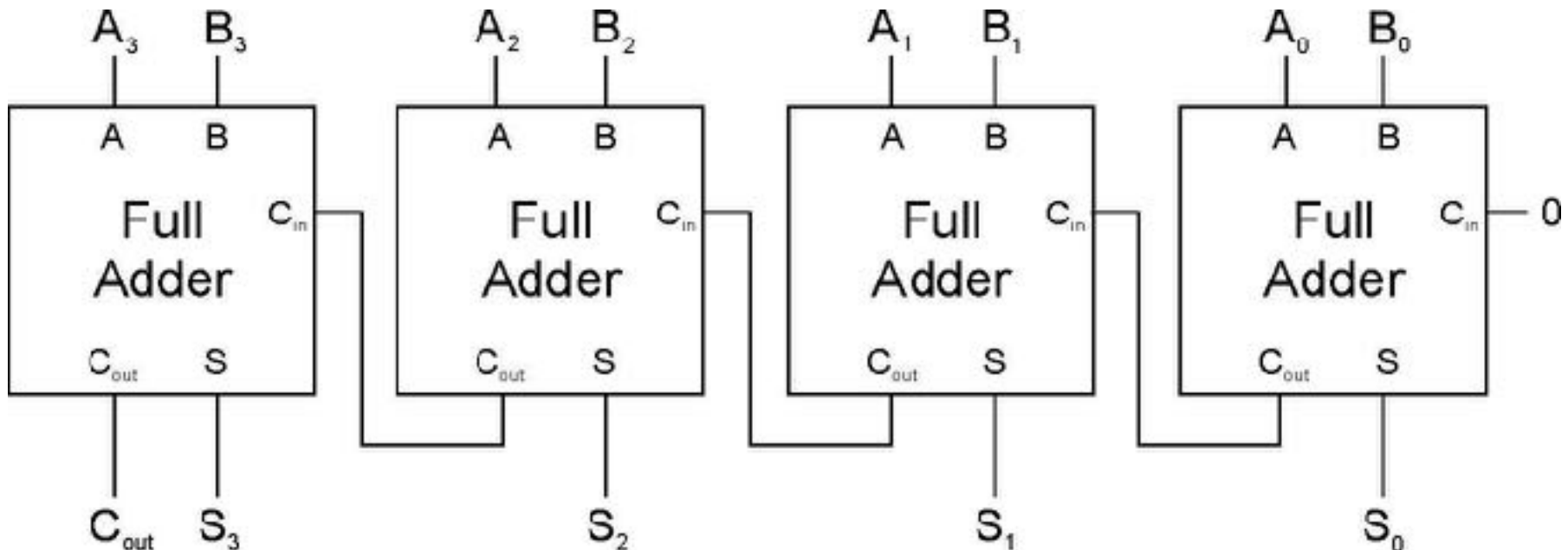
# Four-bit Adder

- Ripple-carry Adder
  - Simple, but performance linear to bit width



# Four-bit Adder

- Ripple-carry Adder
  - Simple, but performance linear to bit width
- Carry look-ahead adder (CLA)
  - Generate all carriers simultaneously



# Logic Design

- Design digital components from basic logic gates

# Logic Design

- Design digital components from basic logic gates
- Key idea: use the truth table!

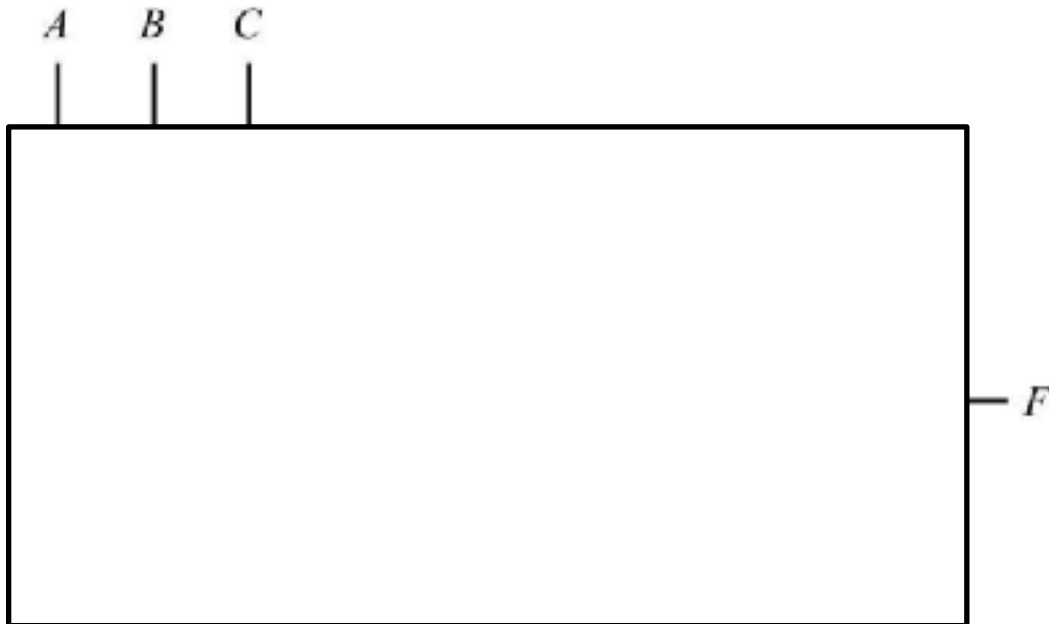


# Logic Design

- Design digital components from basic logic gates
- Key idea: use the truth table!
- Example: how to design a piece of circuit that does majority vote?

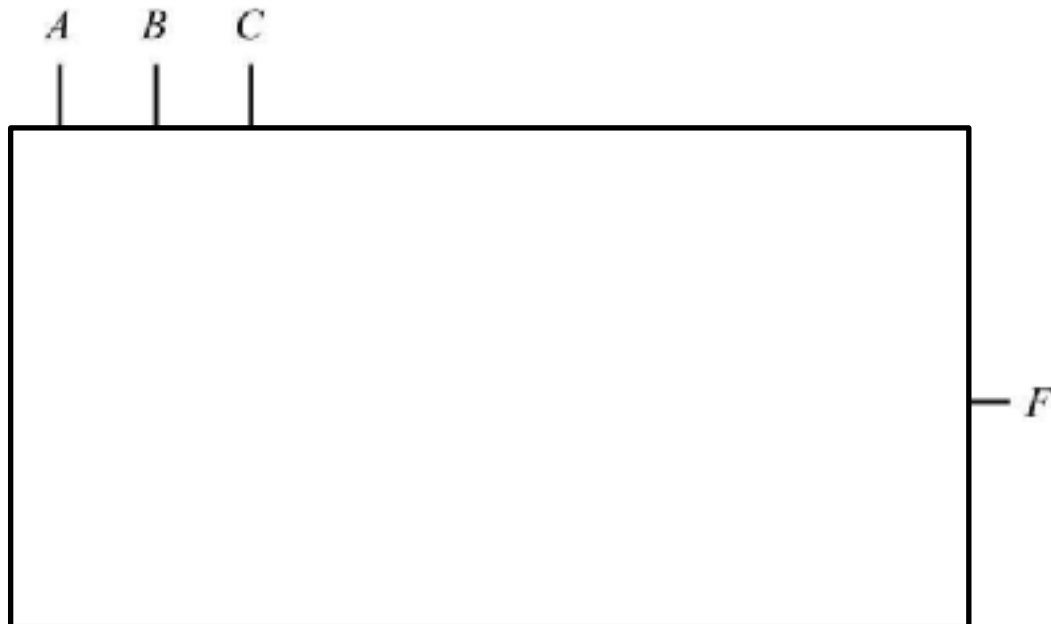
# Logic Design

- Design digital components from basic logic gates
- Key idea: use the truth table!
- Example: how to design a piece of circuit that does majority vote?



# Logic Design

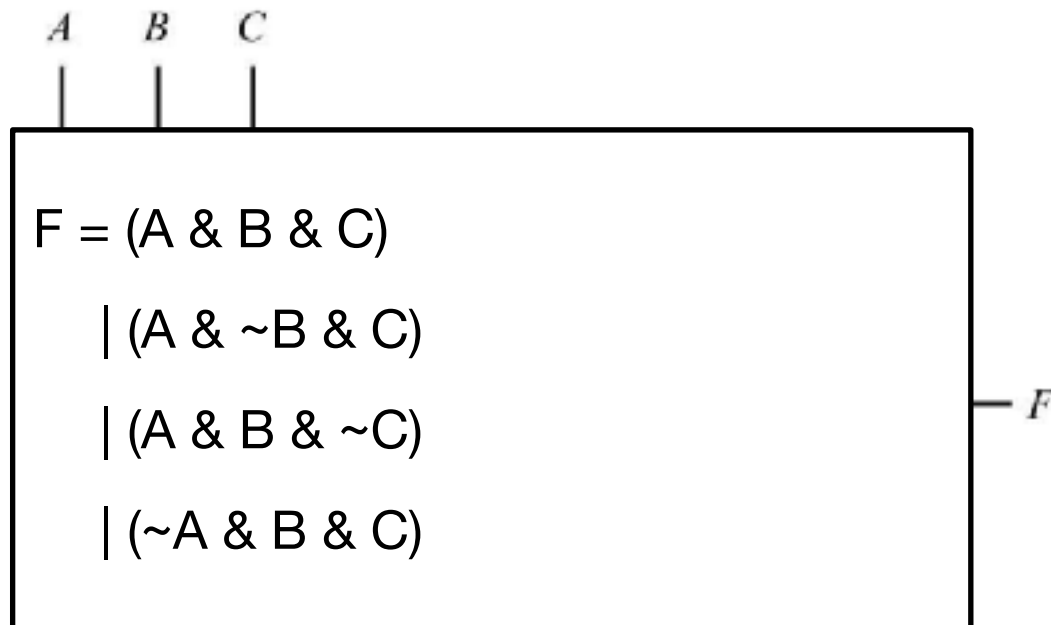
- Design digital components from basic logic gates
- Key idea: use the truth table!
- Example: how to design a piece of circuit that does majority vote?



| <b>A</b> | <b>B</b> | <b>C</b> | <b>F</b> |
|----------|----------|----------|----------|
| 0        | 0        | 0        | <b>0</b> |
| 0        | 0        | 1        | <b>0</b> |
| 0        | 1        | 0        | <b>0</b> |
| 0        | 1        | 1        | <b>1</b> |
| 1        | 0        | 0        | <b>0</b> |
| 1        | 0        | 1        | <b>1</b> |
| 1        | 1        | 0        | <b>1</b> |
| 1        | 1        | 1        | <b>1</b> |

# Logic Design

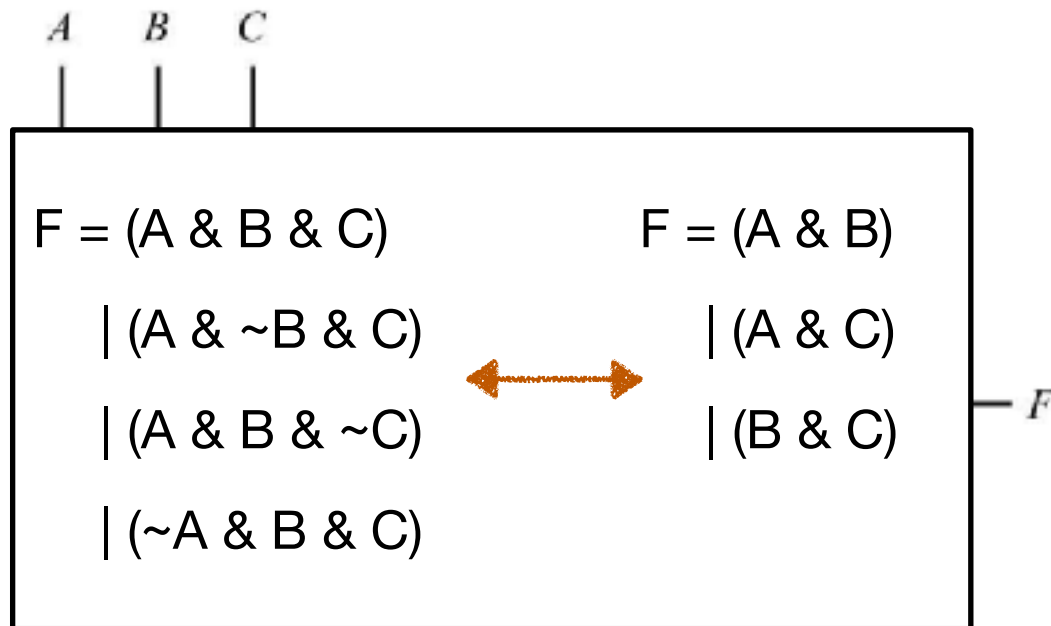
- Design digital components from basic logic gates
- Key idea: use the truth table!
- Example: how to design a piece of circuit that does majority vote?



| A | B | C | F |
|---|---|---|---|
| 0 | 0 | 0 | 0 |
| 0 | 0 | 1 | 0 |
| 0 | 1 | 0 | 0 |
| 0 | 1 | 1 | 1 |
| 1 | 0 | 0 | 0 |
| 1 | 0 | 1 | 1 |
| 1 | 1 | 0 | 1 |
| 1 | 1 | 1 | 1 |

# Logic Design

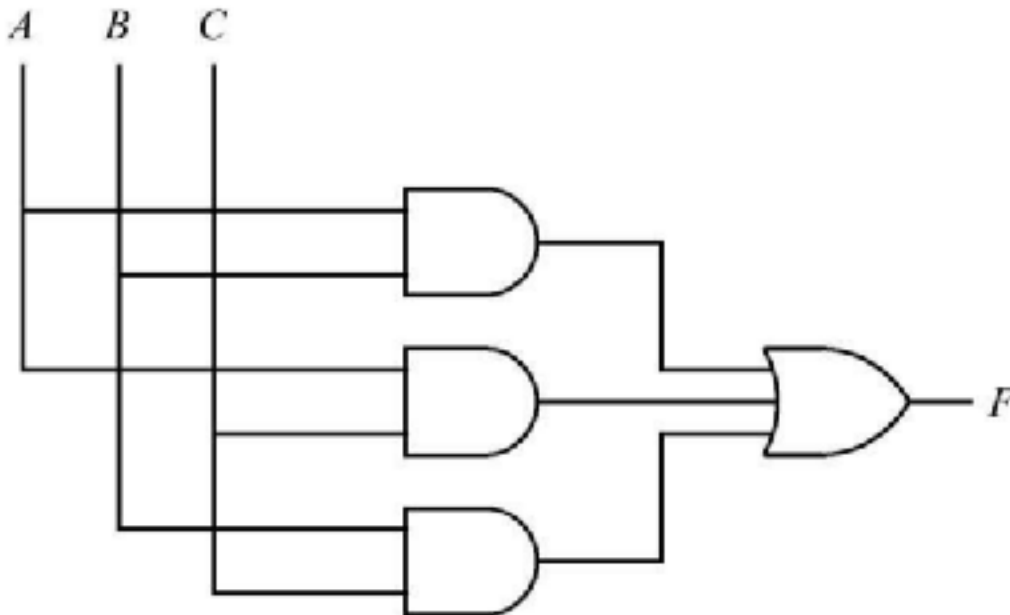
- Design digital components from basic logic gates
- Key idea: use the truth table!
- Example: how to design a piece of circuit that does majority vote?



| A | B | C | F |
|---|---|---|---|
| 0 | 0 | 0 | 0 |
| 0 | 0 | 1 | 0 |
| 0 | 1 | 0 | 0 |
| 0 | 1 | 1 | 1 |
| 1 | 0 | 0 | 0 |
| 1 | 0 | 1 | 1 |
| 1 | 1 | 0 | 1 |
| 1 | 1 | 1 | 1 |

# Logic Design

- Design digital components from basic logic gates
- Key idea: use the truth table!
- Example: how to design a piece of circuit that does majority vote?



| A | B | C | F |
|---|---|---|---|
| 0 | 0 | 0 | 0 |
| 0 | 0 | 1 | 0 |
| 0 | 1 | 0 | 0 |
| 0 | 1 | 1 | 1 |
| 1 | 0 | 0 | 0 |
| 1 | 0 | 1 | 1 |
| 1 | 1 | 0 | 1 |
| 1 | 1 | 1 | 1 |